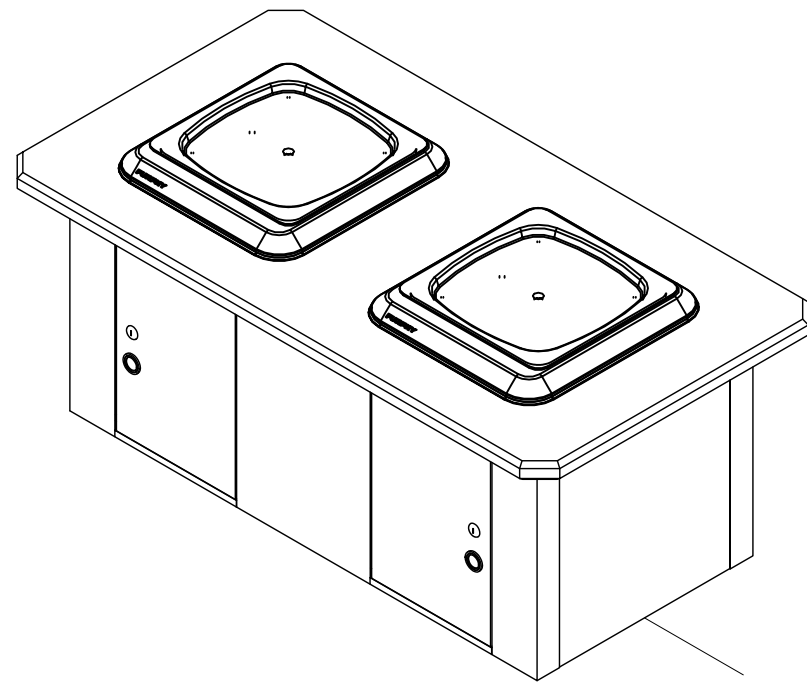
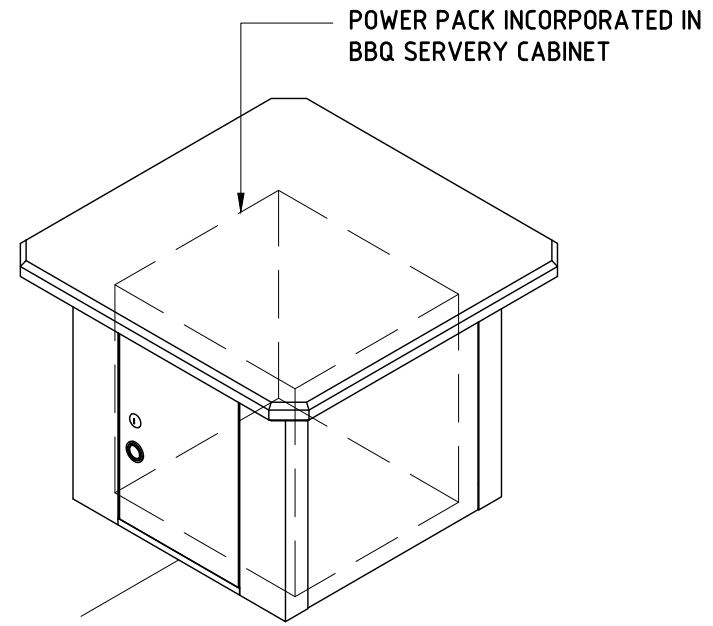


ALL DIMENSIONS IN MILLIMETRES - DO NOT SCALE

FFSEBP202 - STANDARD PREMIUM DOUBLE HOTPLATE BBQ
 FFS-SLR-BAT0X - POWER PACK SERVERY

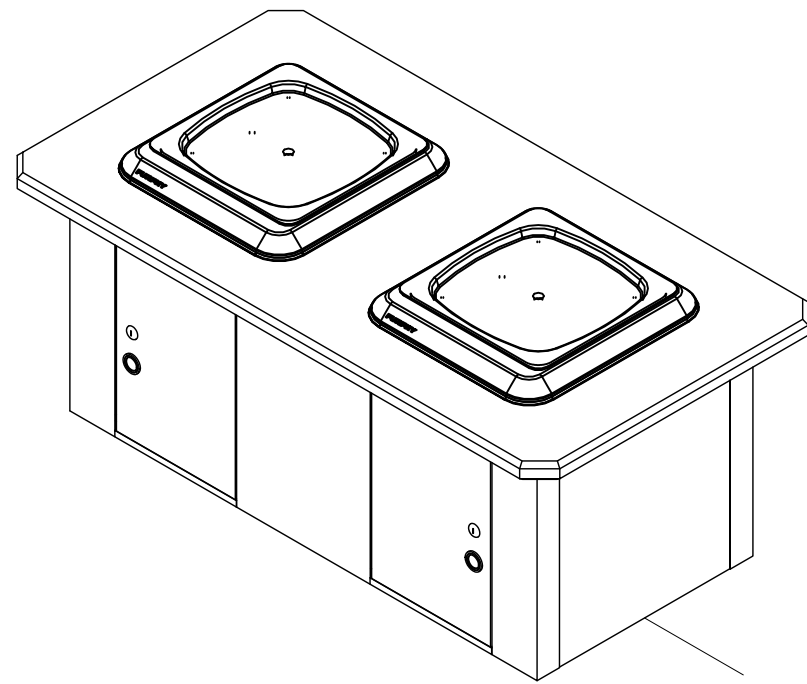


FFSEBP202

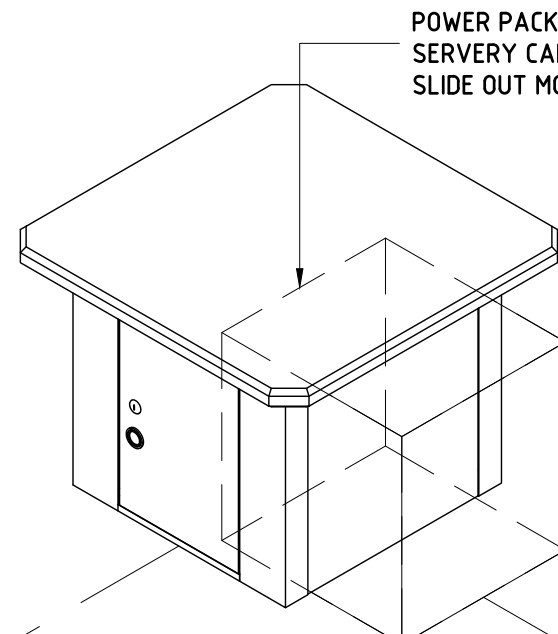


FFS-SLR-BAT0X

POWER PACK INCORPORATED IN
 BBQ SERVERY CABINET



FFSEBP202




FFS-SLR-BAT0X

POWER PACK INCORPORATED IN BBQ
 SERVERY CABINET, ACCESSIBLE BY
 SLIDE OUT MOUNTS

REVISION	DATE:	DRAWN BY.
6		
5		
4		
3		
2		
1		

DATE:	DRAWN BY.



© FURPHY FOUNDRY PTY LTD
 THIS DOCUMENT IS AND SHALL REMAIN THE PROPERTY OF
 FURPHY FOUNDRY. UNAUTHORISED USE OF THIS DOCUMENT
 IN ANY FORM IS PROHIBITED.



Furphy Foundry Pty Ltd PH: (03) 5831 2777
 A.B.N. 24 007 195 913 FAX: (03) 5831 2681
 21 Drummond Rd, www.furphyfoundry.com.au
 Shepparton VIC 3630 sales@furphyfoundry.com.au

CLIENT NAME FURPHY FOUNDRY	PROJECT No. NPD-1004	PAGE A3
PROJECT SOLAR BBQ CONFIGURATIONS	DATE: 27.02.24	DRAWN JAR
DRAWING TITLE FFSEBP202 + FFS-SLR-BAT0X - DOUBLE BBQ & POWER PACK	DRAWING No. SBBQ-1004	SCALE NTS
	SHEET No. 101	REV. -

PROJECT No. NPD-1004	PAGE A3
DATE: 27.02.24	DRAWN JAR
DRAWING No. SBBQ-1004	SCALE NTS
SHEET No. 101	REV. -