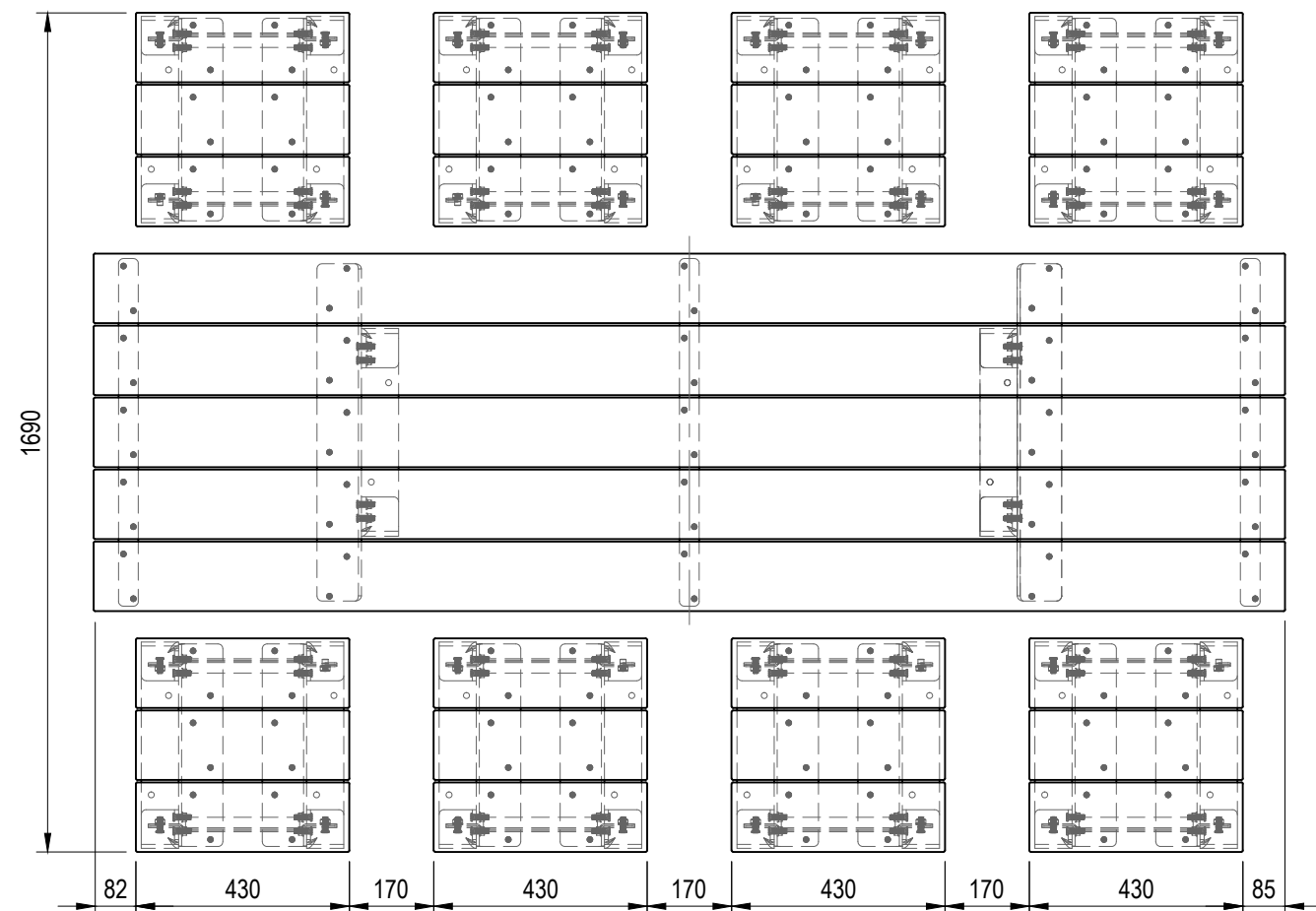
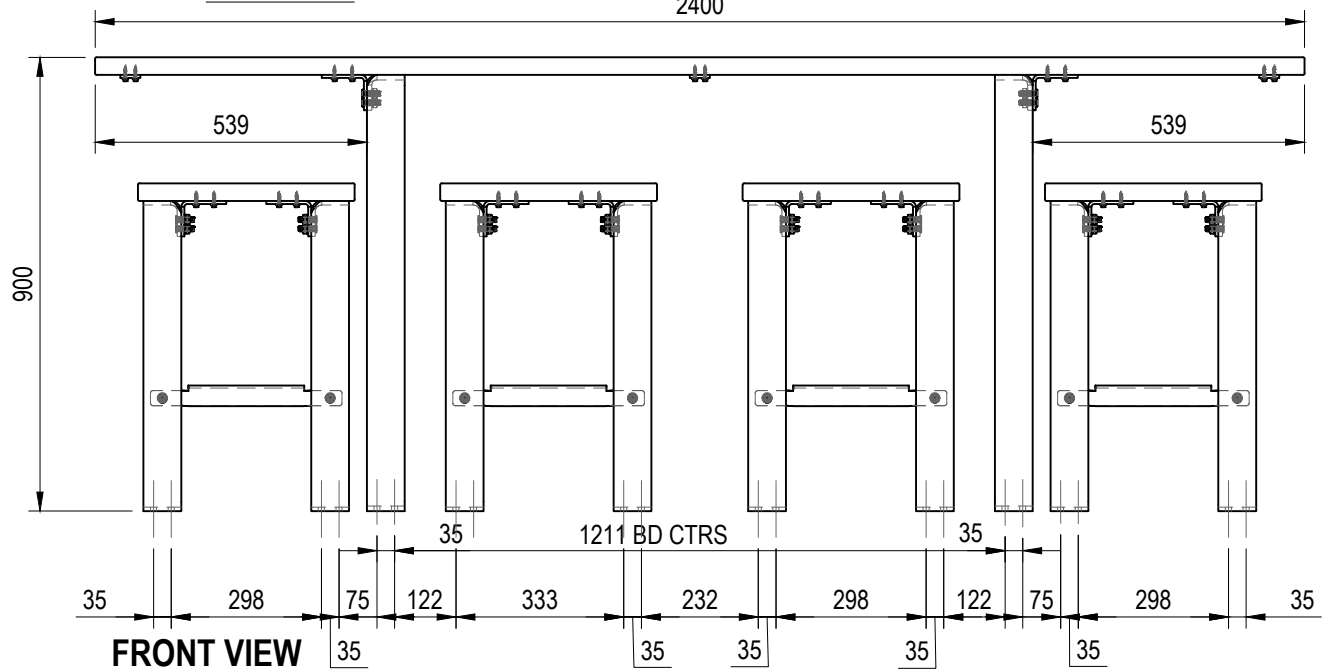


AXIS BAR SETTING

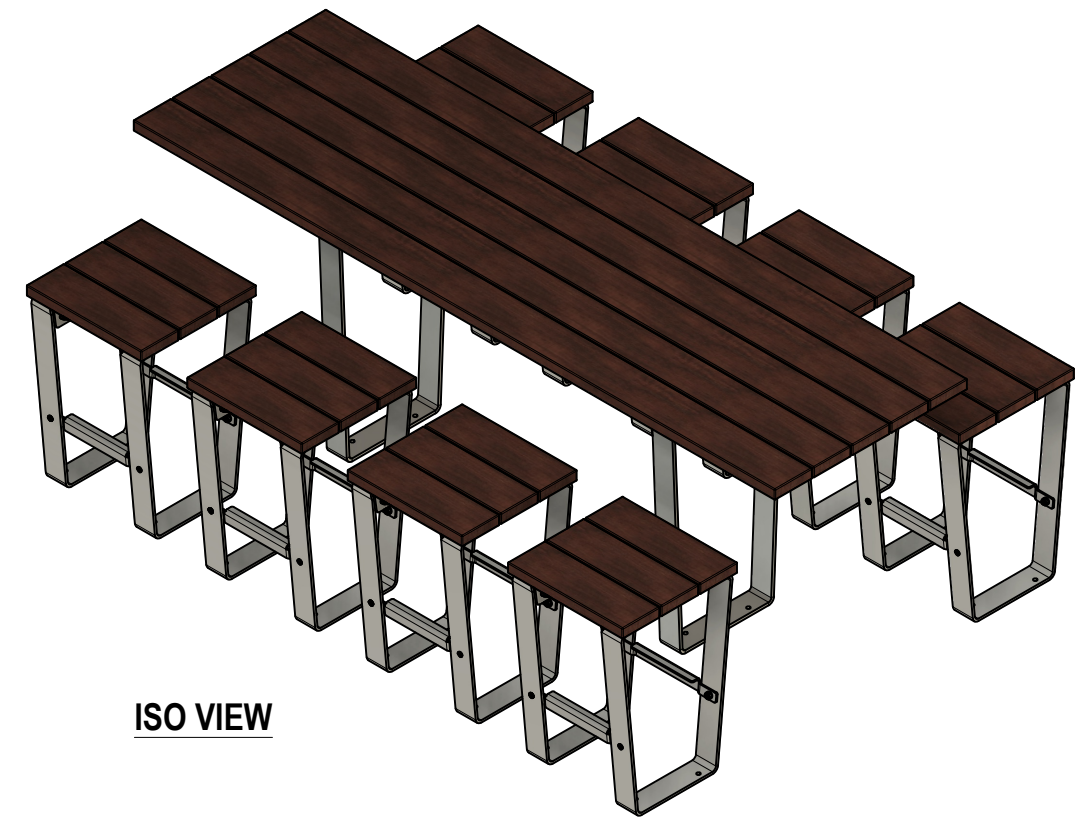
FFSC004090 - 2400mm Bar Setting



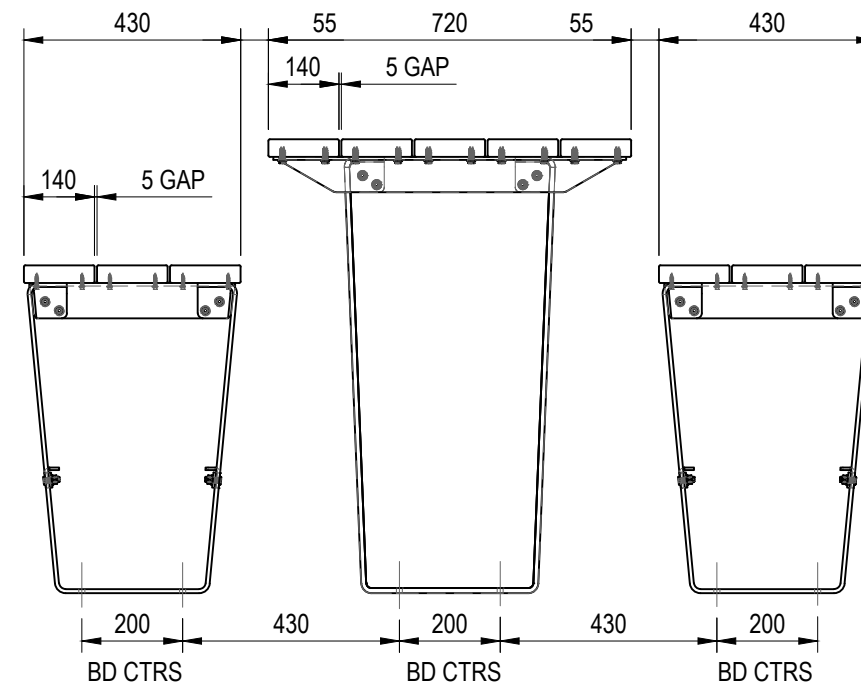
TOP VIEW



FRONT VIEW



ISO VIEW



END VIEW

SPECIFICATIONS:

- FRAME:** STAINLESS STEEL 304 GRADE & POWDERCOAT FINISH
- FIXINGS:** STAINLESS STEEL UNLESS NOTED OTHERWISE
- SLATS:** KILN DRIED HARDWOOD DRESSED ALL SIDES WITH PENCIL ROUNDED EDGES

Revision History

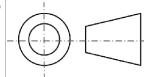
Rev	Description	Date	Approved
-----	-------------	------	----------



© FURPHY FOUNDRY PTY LTD.

THIS DOCUMENT IS AND SHALL REMAIN THE PROPERTY OF FURPHY FOUNDRY. UNAUTHORISED USE OF THIS DOCUMENT IN ANY FORM IS PROHIBITED.

UNLESS OTHERWISE SPECIFIED, DIMENSIONS ARE IN mm
DO NOT SCALE
BREAK ALL SHARP EDGES AND REMOVE BURRS



TOLERANCES
X: ±0.25
Y: ±0.1
XX: ±0.05
ANGLES: ±0.1°



Furphy Foundry Pty Ltd
A.B.N. 24 007 195 913
21 Drummond Rd,
Shepparton VIC 3630
PH: (03) 5831 2777
FAX: (03) 5831 2681
www.furphyfoundry.com.au
sales@furphyfoundry.com.au

CLIENT NAME FURPHY FOUNDRY	PROJECT No. FFSC004090	PAGE A3
-------------------------------	---------------------------	------------

PROJECT Axis Furniture Range FFSC004090 - 2400mm Bar Setting	DATE: 19/09/2024	DRAWN Joel Rose
--	---------------------	--------------------

DRAWING No. FFSC004090	SCALE 1:15
---------------------------	---------------

DRAWING TITLE 2400mm Bar Setting	PART No. FFSC004090	SHEET No. 1/1	REV.
-------------------------------------	------------------------	------------------	------