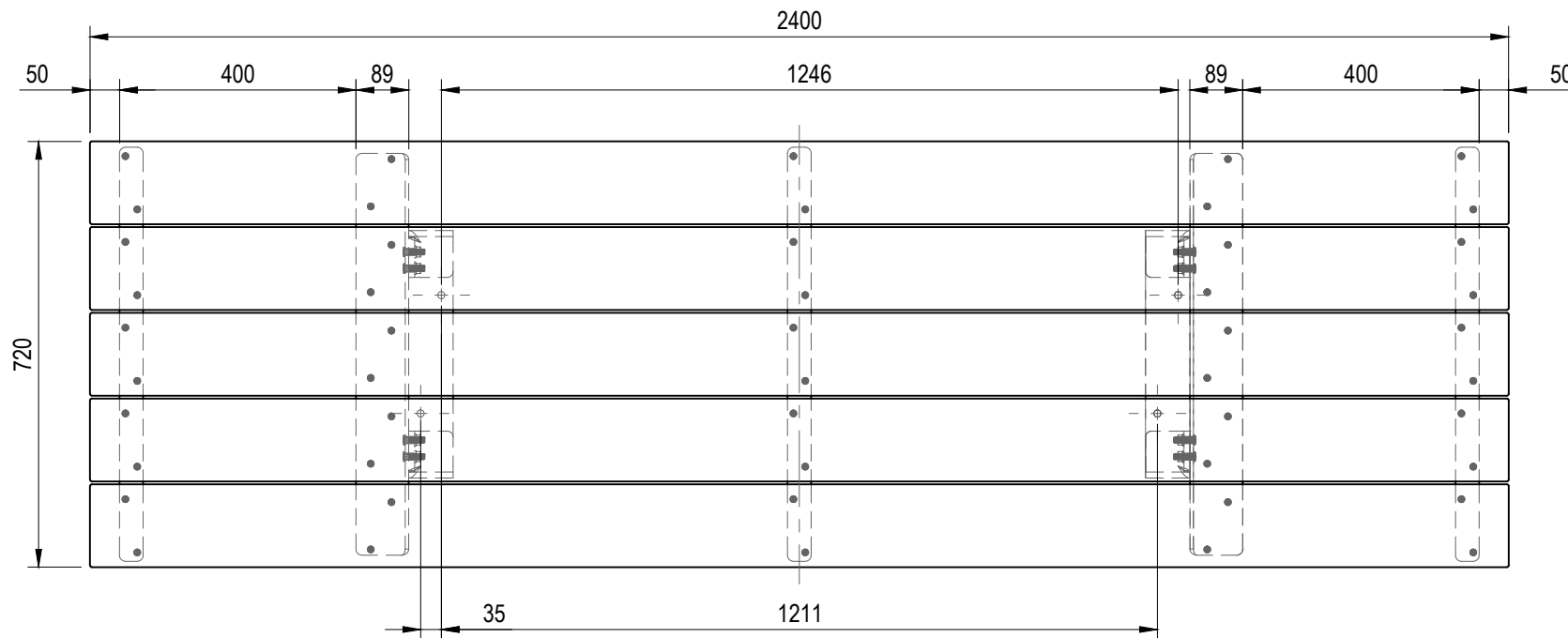
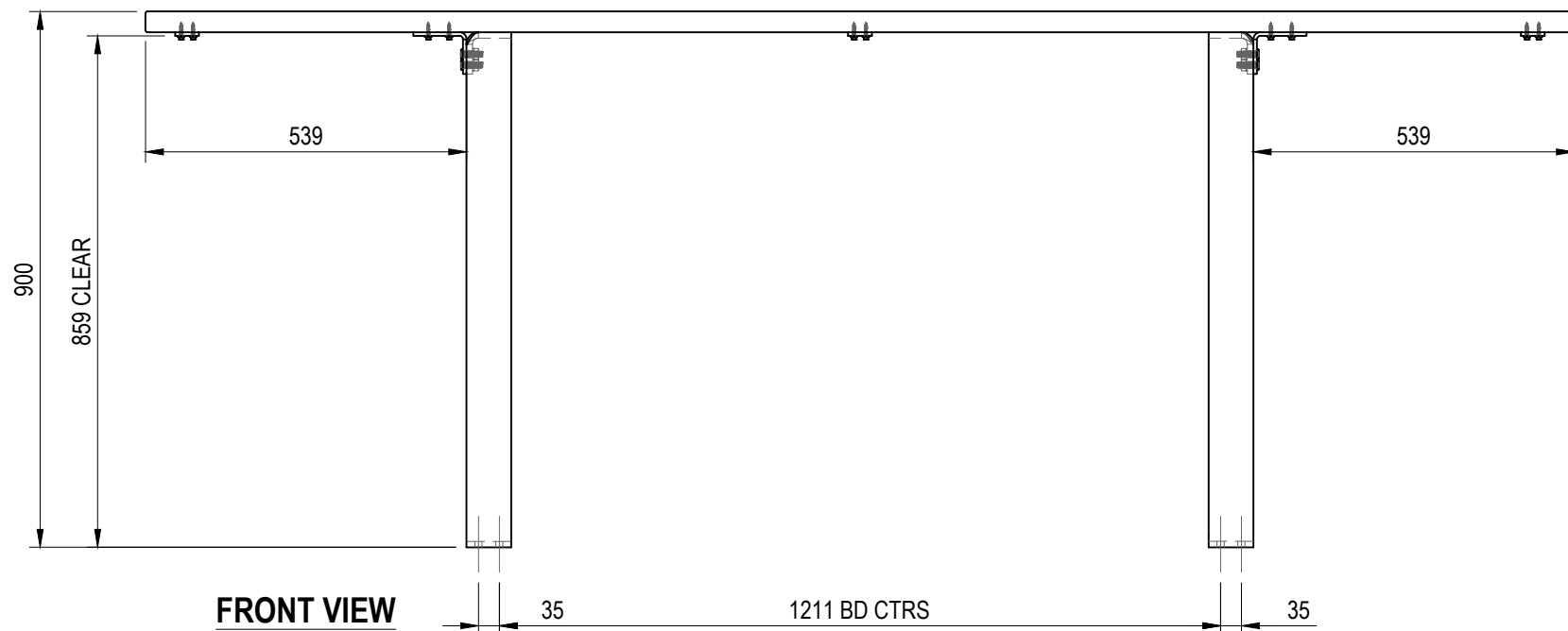


AXIS BAR TABLE

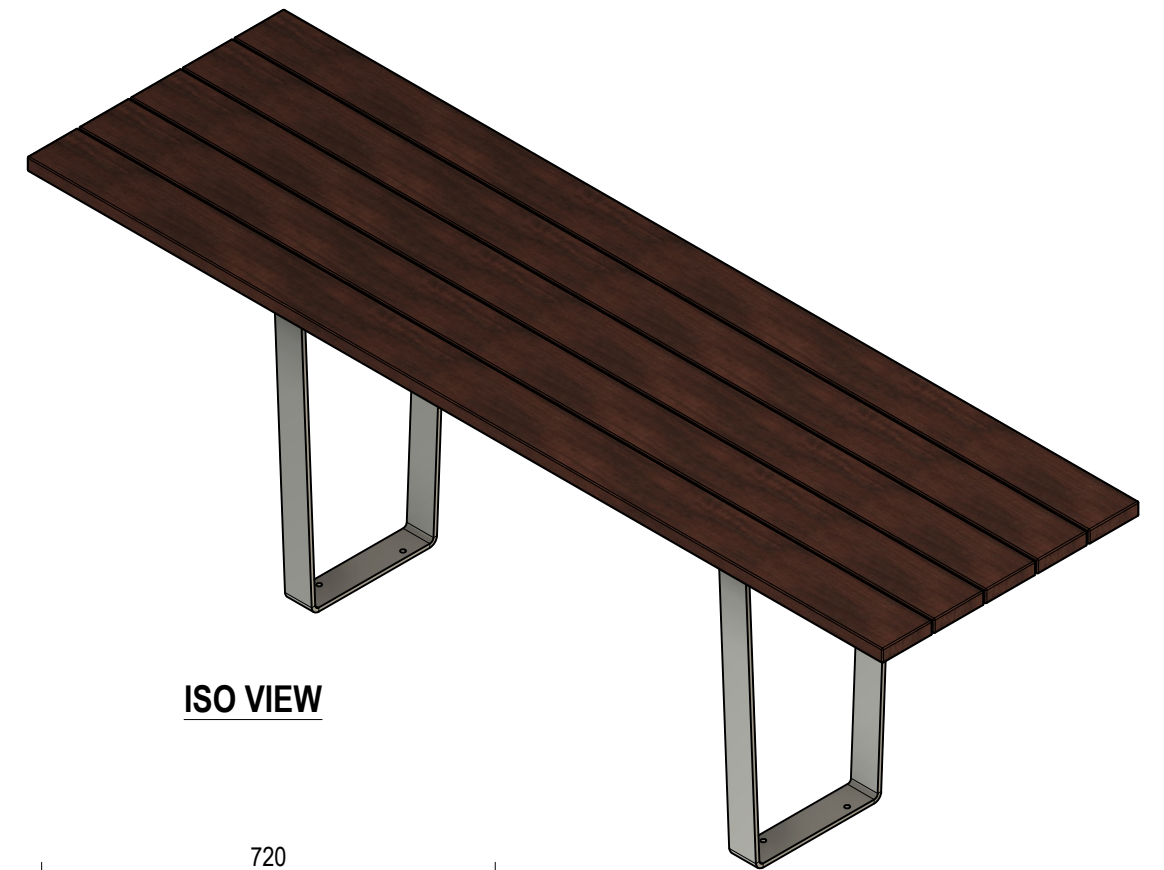
FFSC003090 - 2400mm Bar Table



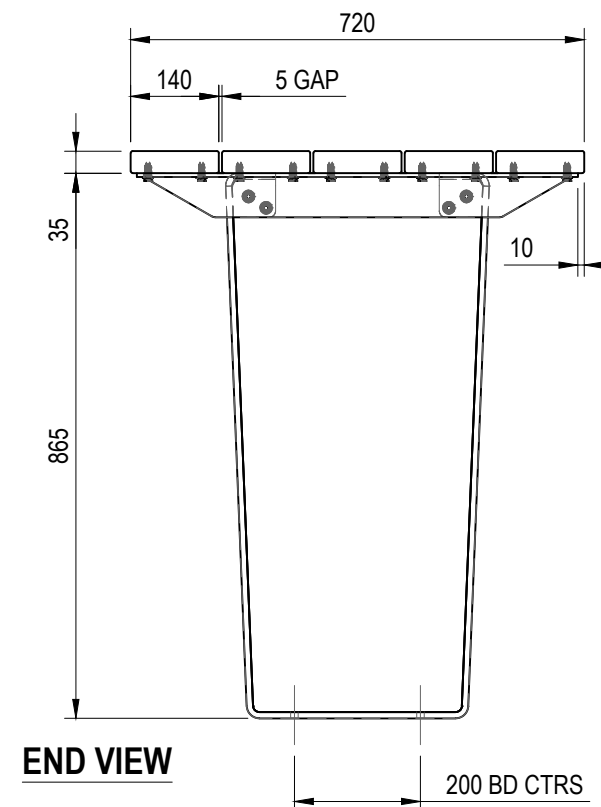
TOP VIEW



FRONT VIEW



ISO VIEW




END VIEW

SPECIFICATIONS:

- FRAME:** STAINLESS STEEL 304 GRADE & POWDERCOAT FINISH
- FIXINGS:** STAINLESS STEEL UNLESS NOTED OTHERWISE
- SLATS:** KILN DRIED HARDWOOD DRESSED ALL SIDES WITH PENCIL ROUNDED EDGES

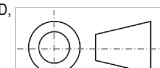
Revision History

| Rev | Description | Date | Approved |
|-----|-------------|------|----------|
| | | | |



© FURPHY FOUNDRY PTY LTD.
 THIS DOCUMENT IS AND SHALL REMAIN THE PROPERTY OF FURPHY FOUNDRY. UNAUTHORISED USE OF THIS DOCUMENT IN ANY FORM IS PROHIBITED.

UNLESS OTHERWISE SPECIFIED, DIMENSIONS ARE IN mm
DO NOT SCALE
 BREAK ALL SHARP EDGES AND REMOVE BURRS



TOLERANCES
 X: ±0.25
 X: ±0.1
 XX: ±0.05
 ANGLES: ±0.1°



Furphy Foundry Pty Ltd
 A.B.N. 24 007 195 913
 21 Drummond Rd,
 Shepparton VIC 3630

PH: (03) 5831 2777
 FAX: (03) 5831 2681
 www.furphyfoundry.com.au
 sales@furphyfoundry.com.au

| | | |
|--|---------------------------|--------------------|
| CLIENT NAME FURPHY FOUNDRY | PROJECT No. FFSC003090 | PAGE A3 |
| PROJECT Axis Furniture Range FFSC003090 - 2400mm Bar Table | DATE: 19/09/2024 | DRAWN Joel Rose |
| DRAWING TITLE 2400mm Bar Table | DRAWING No. FFSC003090 | SCALE 1:15 |
| PART No. FFSC003090 | SHEET No. 1/1 | REV. |