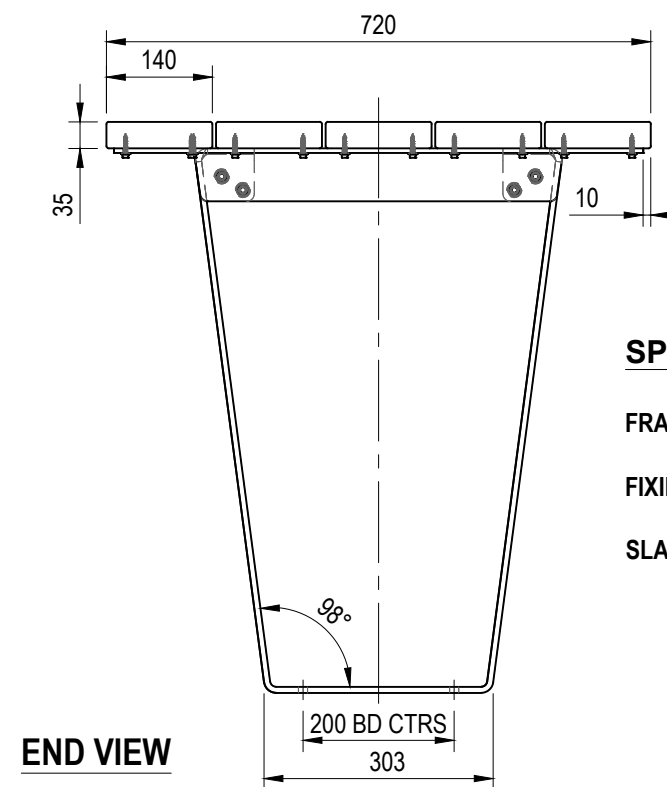
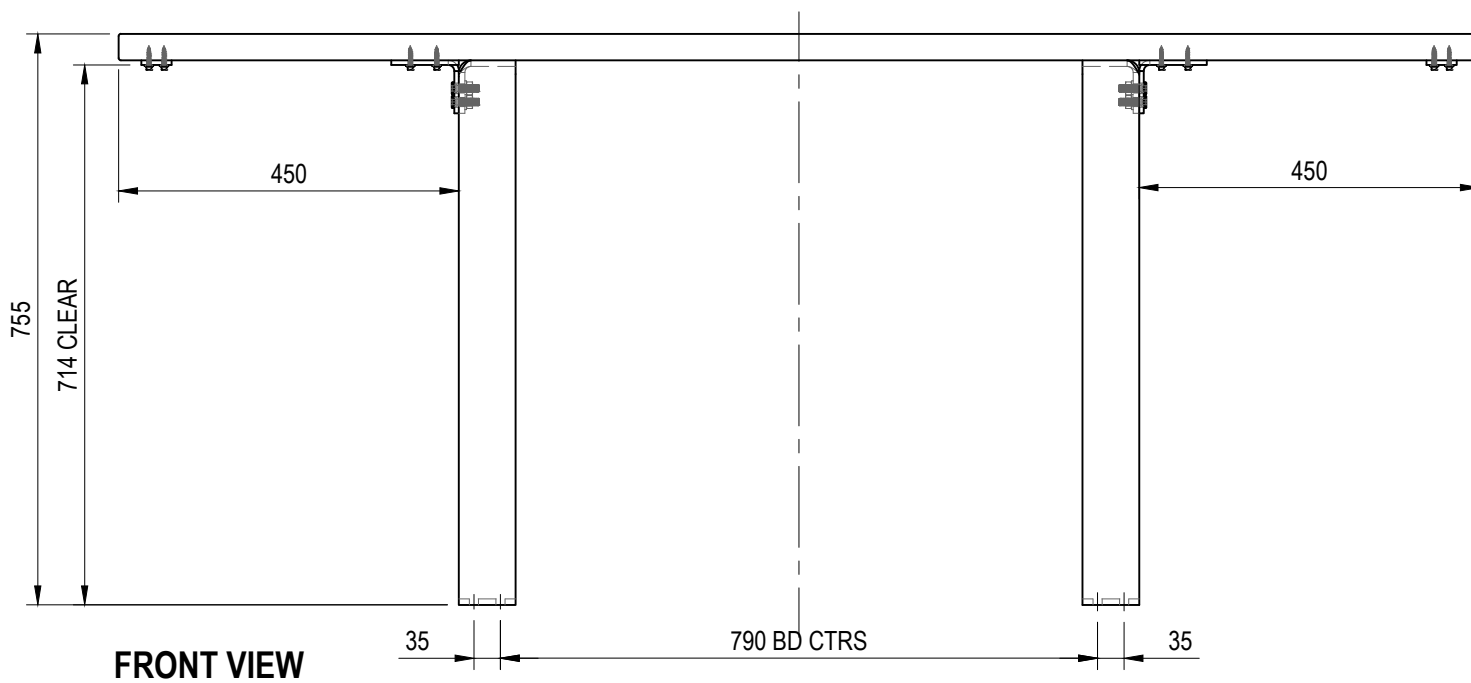
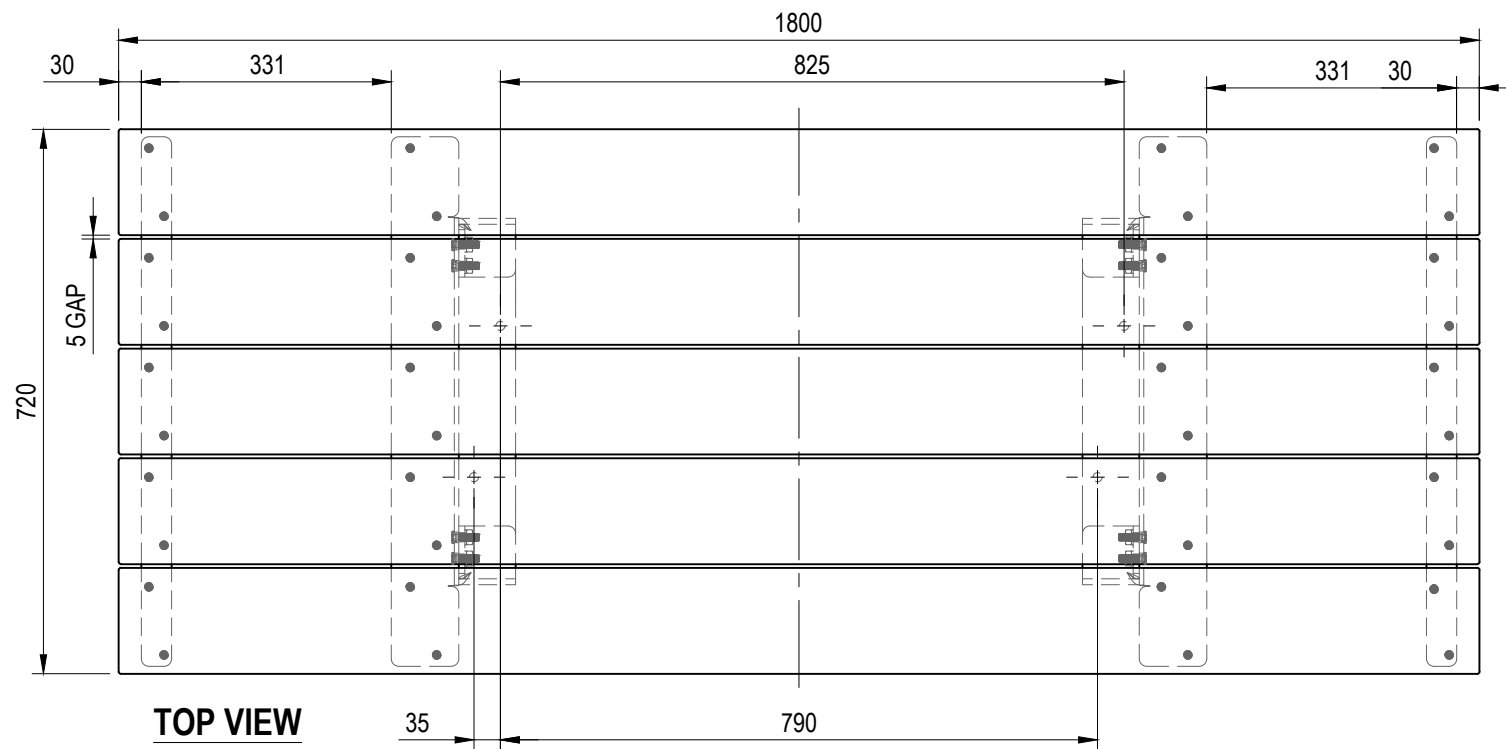


AXIS TABLE

FFSC003080 - 1800mm TABLE




SPECIFICATIONS:

- FRAME:** STAINLESS STEEL 304 GRADE & POWDERCOAT FINISH
- FIXINGS:** STAINLESS STEEL UNLESS NOTED OTHERWISE
- SLATS:** KILN DRIED HARDWOOD DRESSED ALL SIDES WITH PENCIL ROUNDED EDGES

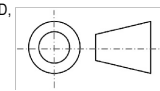
Revision History

Rev	Description	Date	Approved



© FURPHY FOUNDRY PTY LTD.
 THIS DOCUMENT IS AND SHALL REMAIN THE PROPERTY OF FURPHY FOUNDRY. UNAUTHORISED USE OF THIS DOCUMENT IN ANY FORM IS PROHIBITED.

UNLESS OTHERWISE SPECIFIED, DIMENSIONS ARE IN mm
DO NOT SCALE
 BREAK ALL SHARP EDGES AND REMOVE BURRS



TOLERANCES
 X: ±0.25
 X: ±0.1
 XX: ±0.05
 ANGLES: ±0.1°



Furphy Foundry Pty Ltd
 A.B.N. 24 007 195 913
 21 Drummond Rd,
 Shepparton VIC 3630

PH: (03) 5831 2777
 FAX: (03) 5831 2681
 www.furphyfoundry.com.au
 sales@furphyfoundry.com.au

CLIENT NAME FURPHY FOUNDRY	PROJECT No. FFSC003080	PAGE A3
PROJECT Axis Furniture Range FFSC003080 - 1800mm Table	DATE: 10/04/2024	DRAWN Joel Rose
DRAWING TITLE 1800mm TABLE	DRAWING No. FFSC003080	SCALE 1:10
PART No. FFSC003080	SHEET No. 1/1	REV.