

# AXIS SEAT - CURVED - MODULAR

FFSC002091 - Modular Curved Seat - Plinth Mount

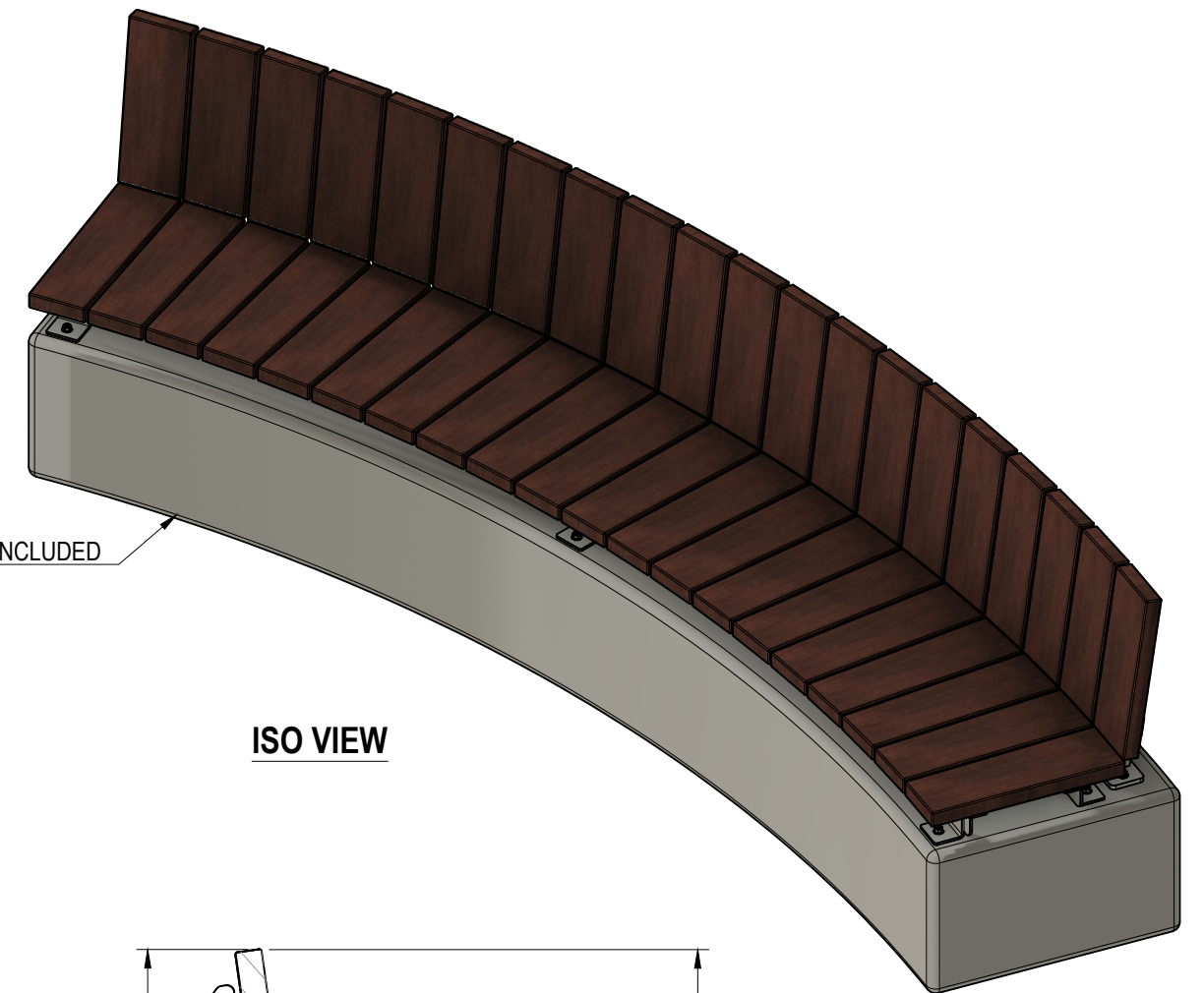
**NOTE:** MODULAR CONFIGURATION SHOWN IS FOR EXAMPLE PURPOSES ONLY. SITE-SPECIFIC DRAWINGS WILL BE REQUIRED BASED ON THE FINAL ORDER AND FURNITURE CONFIGURATION

## SPECIFICATIONS:

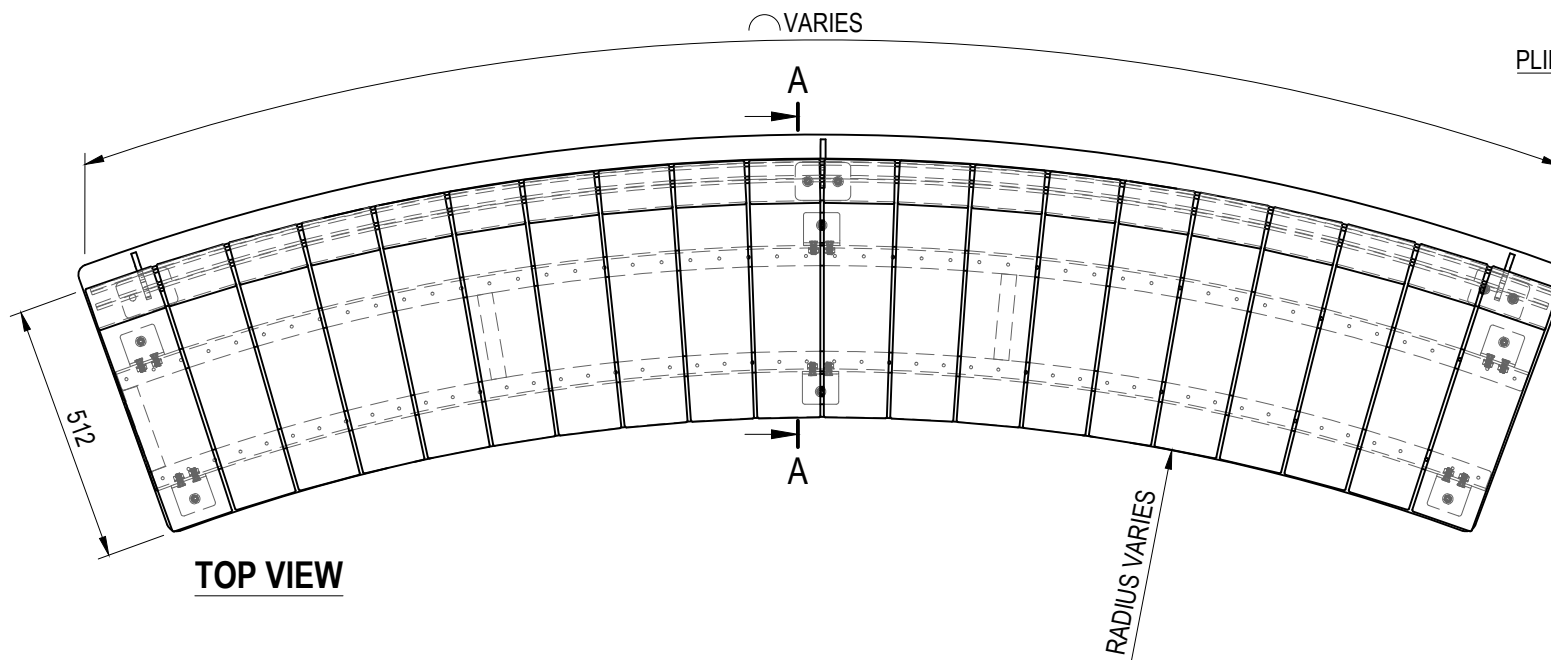
**FRAME:** STAINLESS STEEL 304 GRADE & POWDERCOAT FINISH

**FIXINGS:** STAINLESS STEEL UNLESS NOTED OTHERWISE

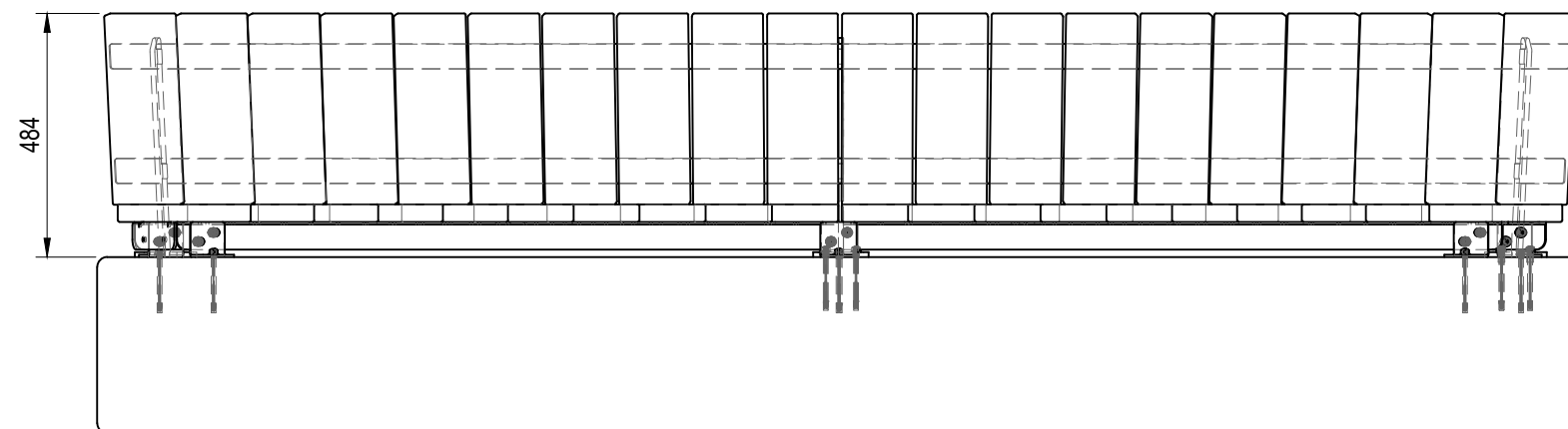
**SLATS:** KILN DRIED HARDWOOD DRESSED ALL SIDES WITH PENCIL ROUNDED EDGES



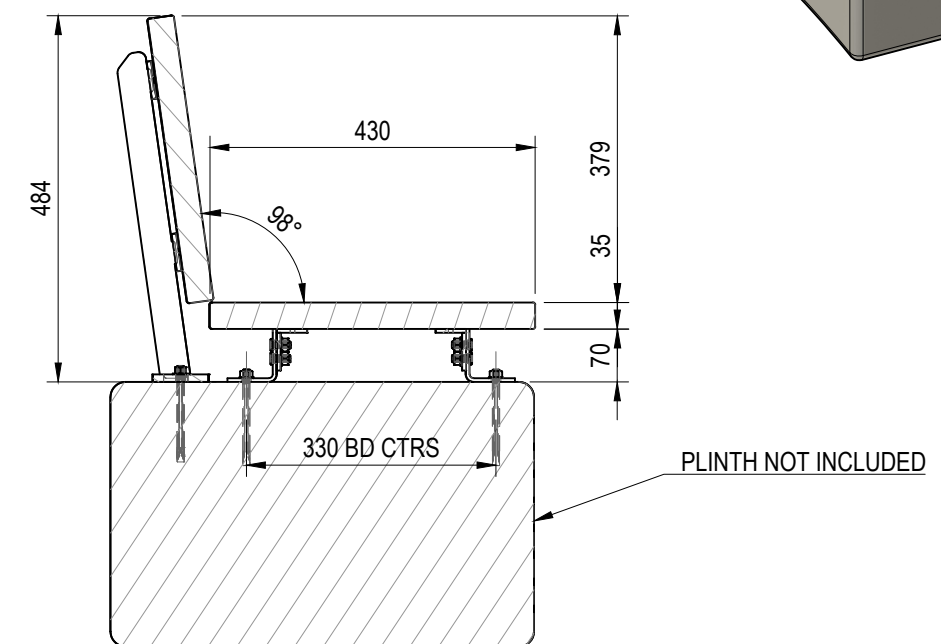
ISO VIEW



TOP VIEW



FRONT VIEW



SECTION A-A (1:10)

### Revision History

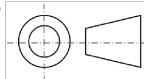
Rev	Description	Date	Approved
-----	-------------	------	----------



© FURPHY FOUNDRY PTY LTD.

THIS DOCUMENT IS AND SHALL REMAIN THE PROPERTY OF FURPHY FOUNDRY. UNAUTHORISED USE OF THIS DOCUMENT IN ANY FORM IS PROHIBITED.

UNLESS OTHERWISE SPECIFIED, DIMENSIONS ARE IN mm  
**DO NOT SCALE**  
BREAK ALL SHARP EDGES AND REMOVE BURRS



TOLERANCES  
X: ±0.25  
Y: ±0.1  
XX: ±0.05  
ANGLES: ±0.1°



Furphy Foundry Pty Ltd  
A.B.N. 24 007 195 913  
21 Drummond Rd,  
Shepparton VIC 3630

PH: (03) 5831 2777  
FAX: (03) 5831 2681  
www.furphyfoundry.com.au  
sales@furphyfoundry.com.au

CLIENT NAME  
FURPHY FOUNDRY

PROJECT  
Axis Furniture Range  
FFSC002091 - Modular Curved Seat - Plinth Mount

DRAWING TITLE  
Modular Curved Seat - Plinth Mount

PART No.  
FFSC002091

PROJECT No.  
FFSC002091

DATE:  
19/09/2024

DRAWING No.  
FFSC002091

SHEET No.  
1/1

PAGE  
A3

DRAWN  
Joel Rose

SCALE  
1:50

REV.