

AXIS SEAT

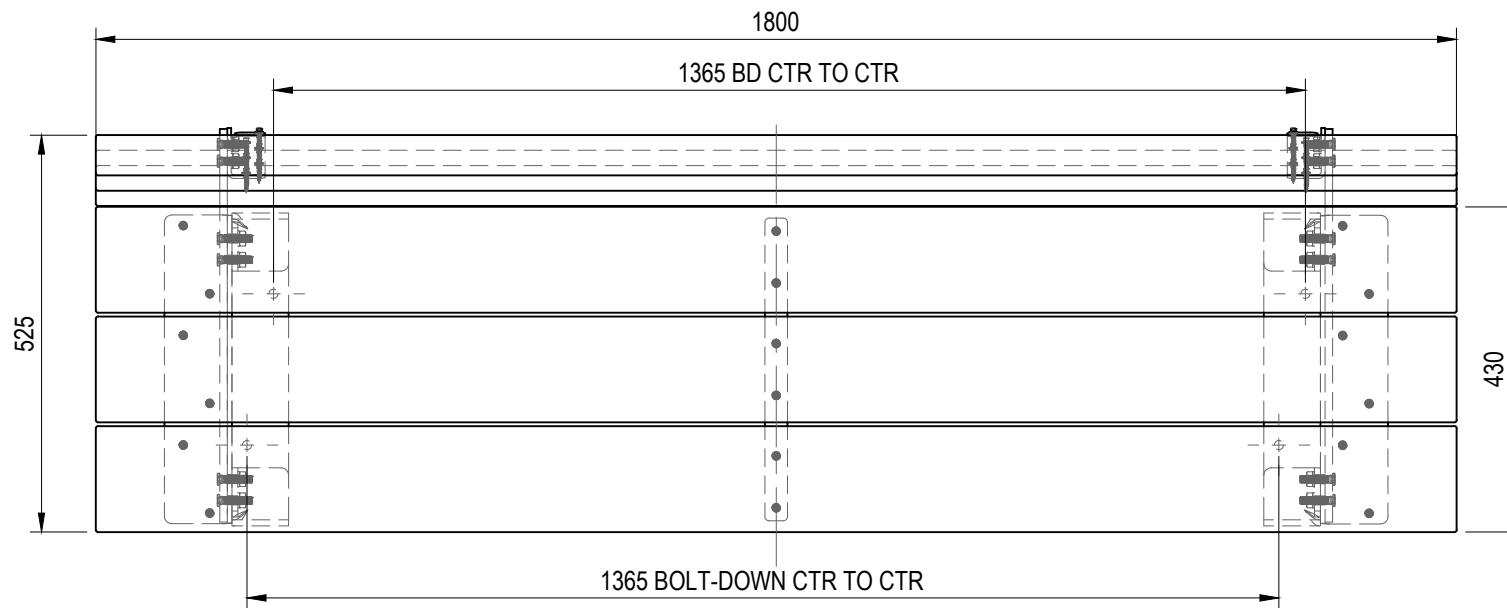
FFSC002080 - 1800mm Seat

SPECIFICATIONS:

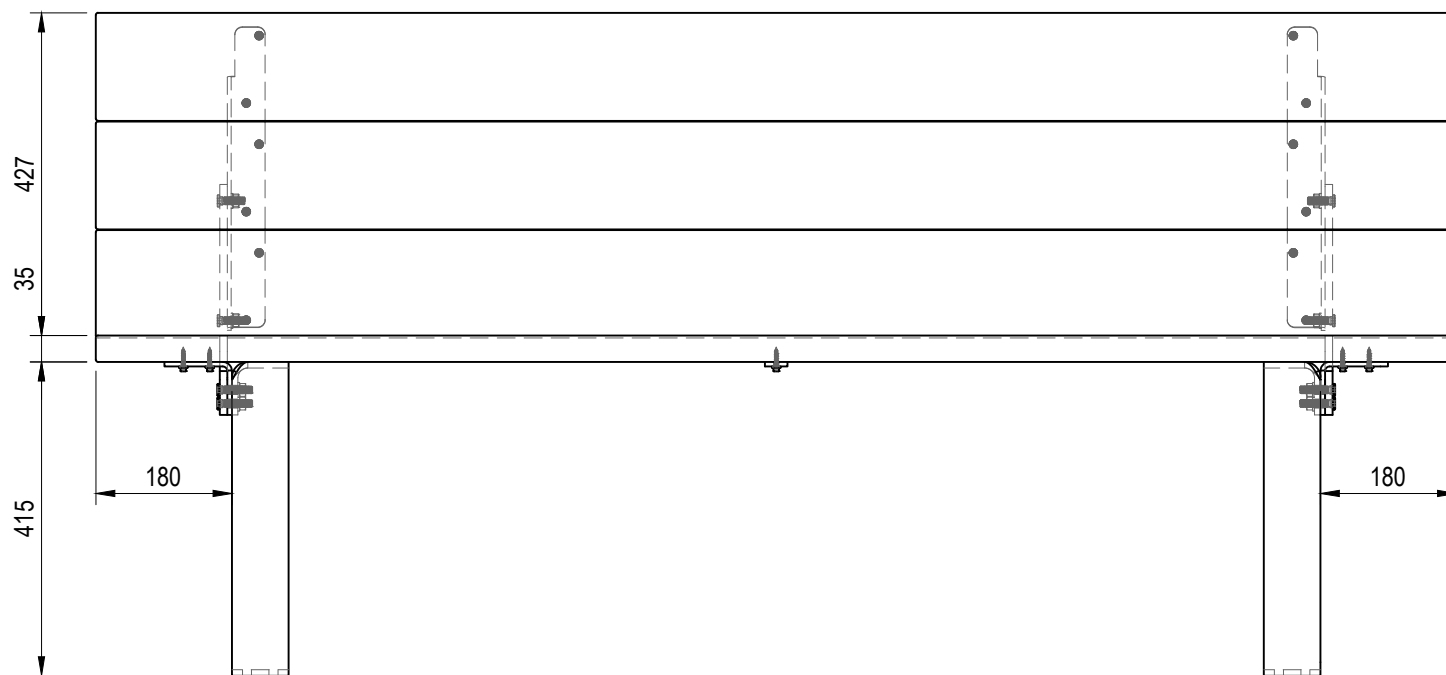
FRAME: STAINLESS STEEL 304 GRADE & POWDERCOAT FINISH

FIXINGS: STAINLESS STEEL UNLESS NOTED OTHERWISE

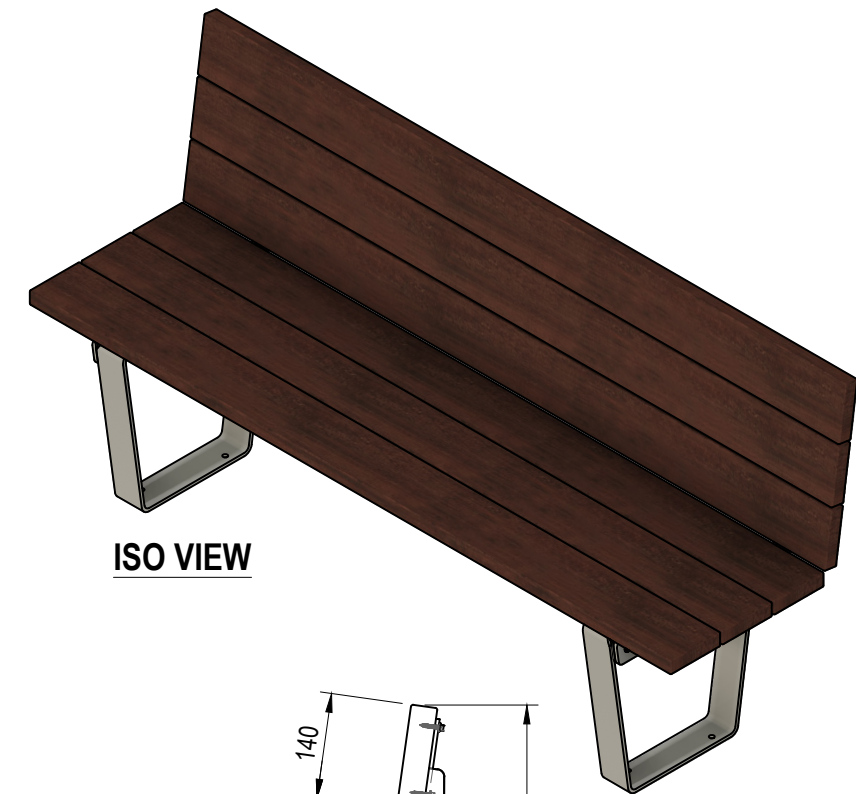
SLATS: KILN DRIED HARDWOOD DRESSED ALL SIDES WITH PENCIL ROUNDED EDGES



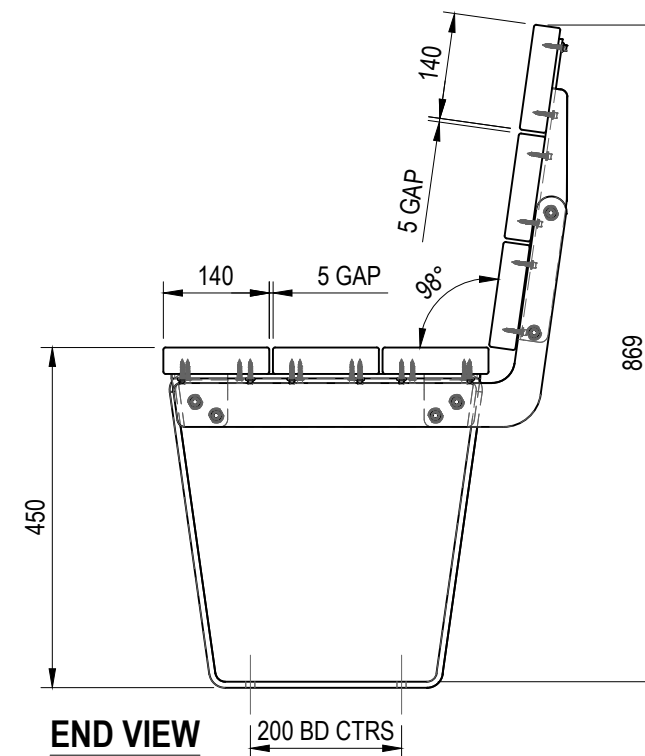
TOP VIEW



FRONT VIEW



ISO VIEW



END VIEW

Revision History

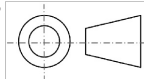
Rev	Description	Date	Approved
-----	-------------	------	----------



© FURPHY FOUNDRY PTY LTD.

THIS DOCUMENT IS AND SHALL REMAIN THE PROPERTY OF FURPHY FOUNDRY. UNAUTHORISED USE OF THIS DOCUMENT IN ANY FORM IS PROHIBITED.

UNLESS OTHERWISE SPECIFIED, DIMENSIONS ARE IN mm
DO NOT SCALE
BREAK ALL SHARP EDGES AND REMOVE BURRS



TOLERANCES
X: ±0.25
Y: ±0.1
XX: ±0.05
ANGLES: ±0.1°



Furphy Foundry Pty Ltd
A.B.N. 24 007 195 913
21 Drummond Rd,
Shepparton VIC 3630
PH: (03) 5831 2777
FAX: (03) 5831 2681
www.furphyfoundry.com.au
sales@furphyfoundry.com.au

CLIENT NAME FURPHY FOUNDRY	PROJECT No. FFSC002080	PAGE A3
-------------------------------	---------------------------	------------

PROJECT Axis Furniture Range FFSC002080 - 1800mm Seat	DATE: 12/07/2024	DRAWN Joel Rose
---	---------------------	--------------------

DRAWING No. FFSC002080	SCALE 1:10
---------------------------	---------------

DRAWING TITLE 1800mm Seat	PART No. FFSC002080	SHEET No. 1/2	REV.
------------------------------	------------------------	------------------	------

AXIS SEAT

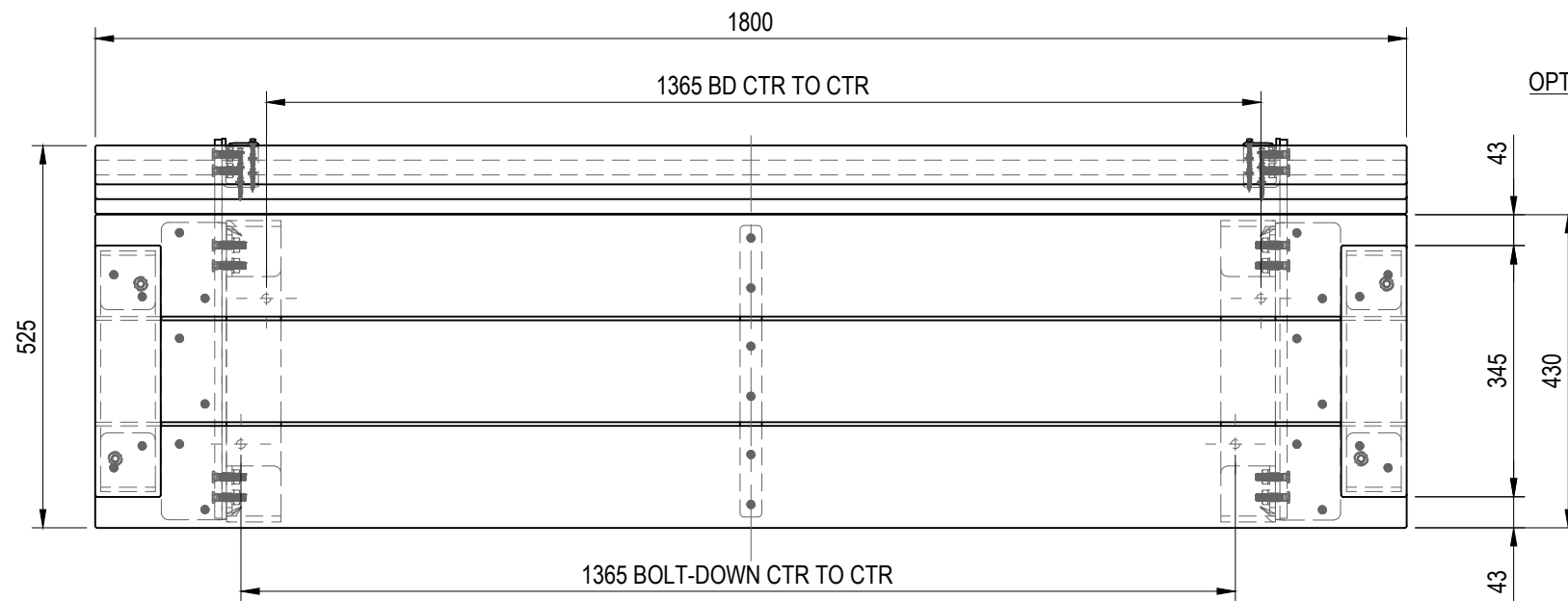
FFSC002080 - 1800mm Seat - Arm Rests

SPECIFICATIONS:

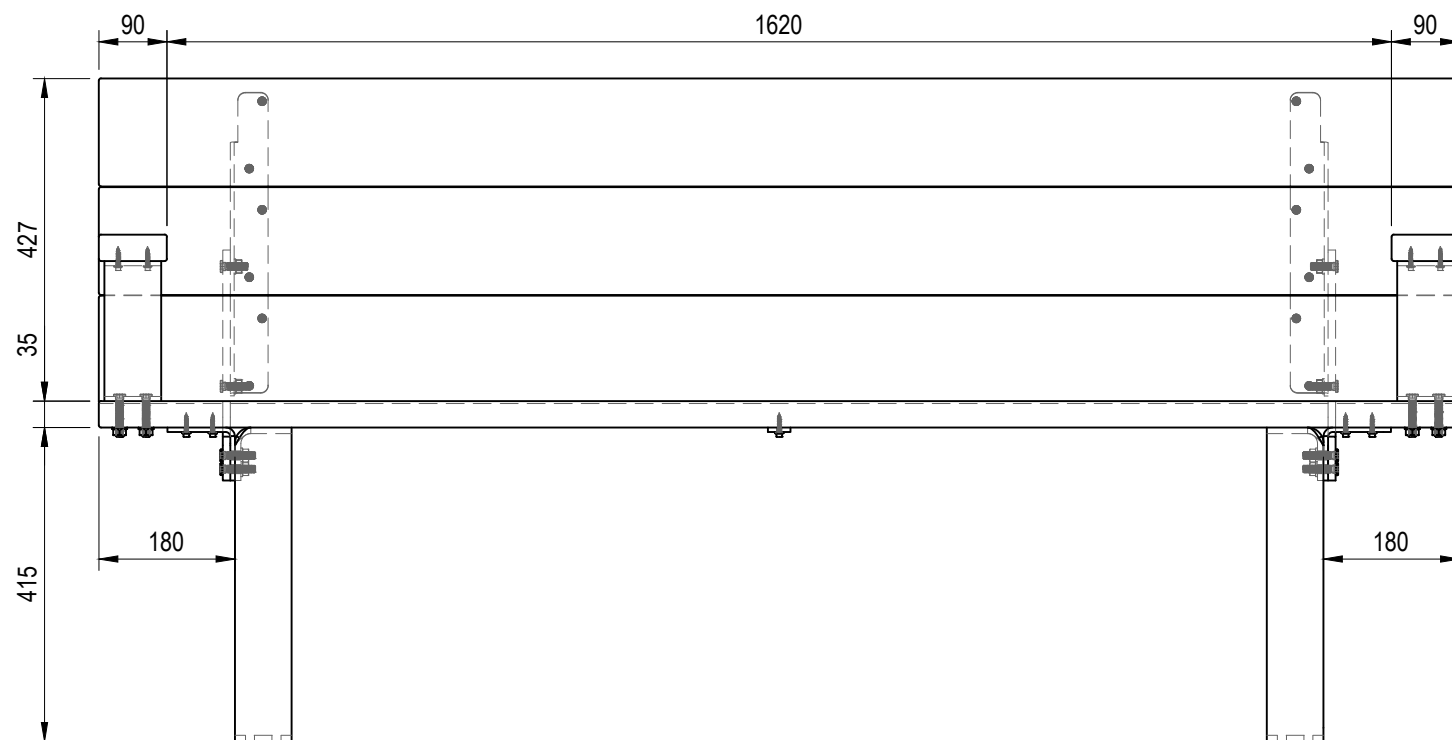
FRAME: STAINLESS STEEL 304 GRADE & POWDERCOAT FINISH

FIXINGS: STAINLESS STEEL UNLESS NOTED OTHERWISE

SLATS: KILN DRIED HARDWOOD DRESSED ALL SIDES WITH PENCIL ROUNDED EDGES

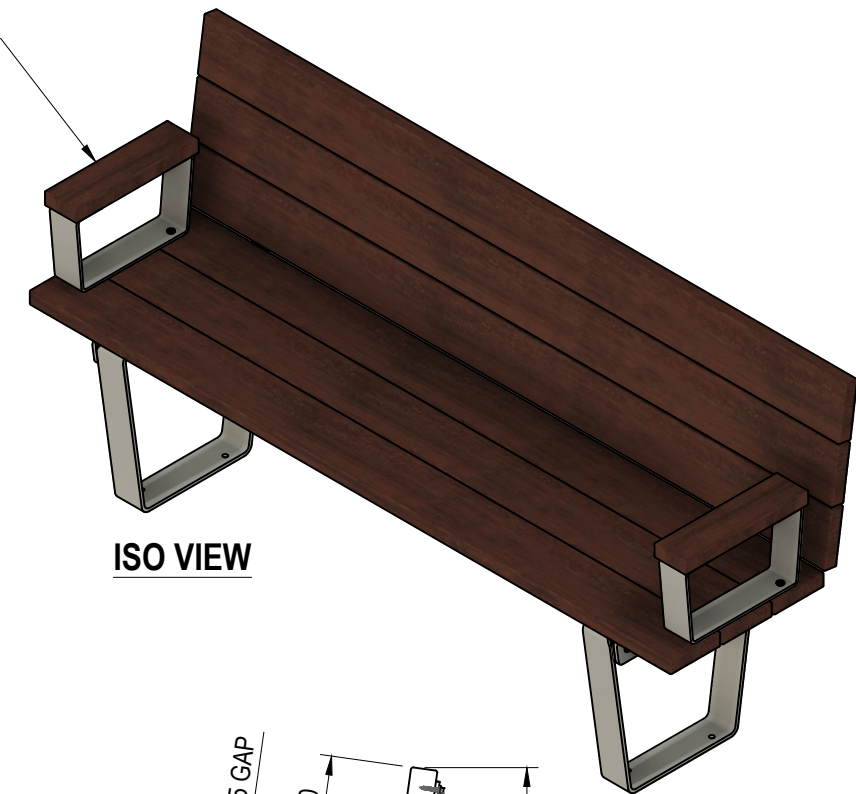


TOP VIEW

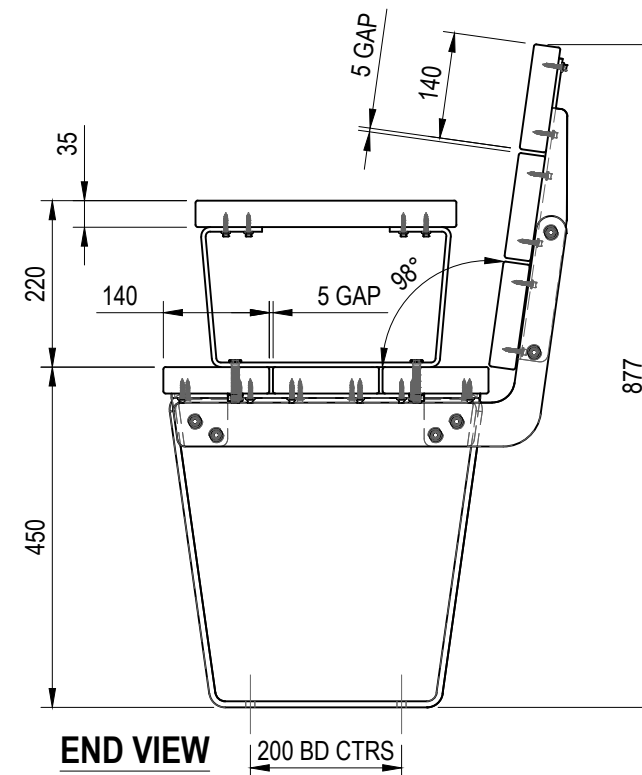


FRONT VIEW

OPTIONAL ARM RESTS



ISO VIEW



END VIEW

Revision History

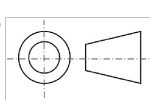
Rev	Description	Date	Approved



© FURPHY FOUNDRY PTY LTD.

THIS DOCUMENT IS AND SHALL REMAIN THE PROPERTY OF FURPHY FOUNDRY. UNAUTHORISED USE OF THIS DOCUMENT IN ANY FORM IS PROHIBITED.

UNLESS OTHERWISE SPECIFIED, DIMENSIONS ARE IN mm
DO NOT SCALE
BREAK ALL SHARP EDGES AND REMOVE BURRS



TOLERANCES
X: ±0.25
Y: ±0.1
XX: ±0.05
ANGLES: ±0.1°



Furphy Foundry Pty Ltd
A.B.N. 24 007 195 913
21 Drummond Rd,
Shepparton VIC 3630
PH: (03) 5831 2777
FAX: (03) 5831 2681
www.furphyfoundry.com.au
sales@furphyfoundry.com.au

CLIENT NAME FURPHY FOUNDRY		PROJECT No. FFSC002080	PAGE A3
PROJECT Axis Furniture Range FFSC002080 - 1800mm Seat - Arm Rests		DATE: 12/07/2024	DRAWN Joel Rose
DRAWING TITLE 1800mm Seat		DRAWING No. FFSC002080	SCALE 1:10
PART No. FFSC002080	SHEET No. 2/2	REV.	