

# AXIS ROUND POD BENCH - PLINTH MOUNT

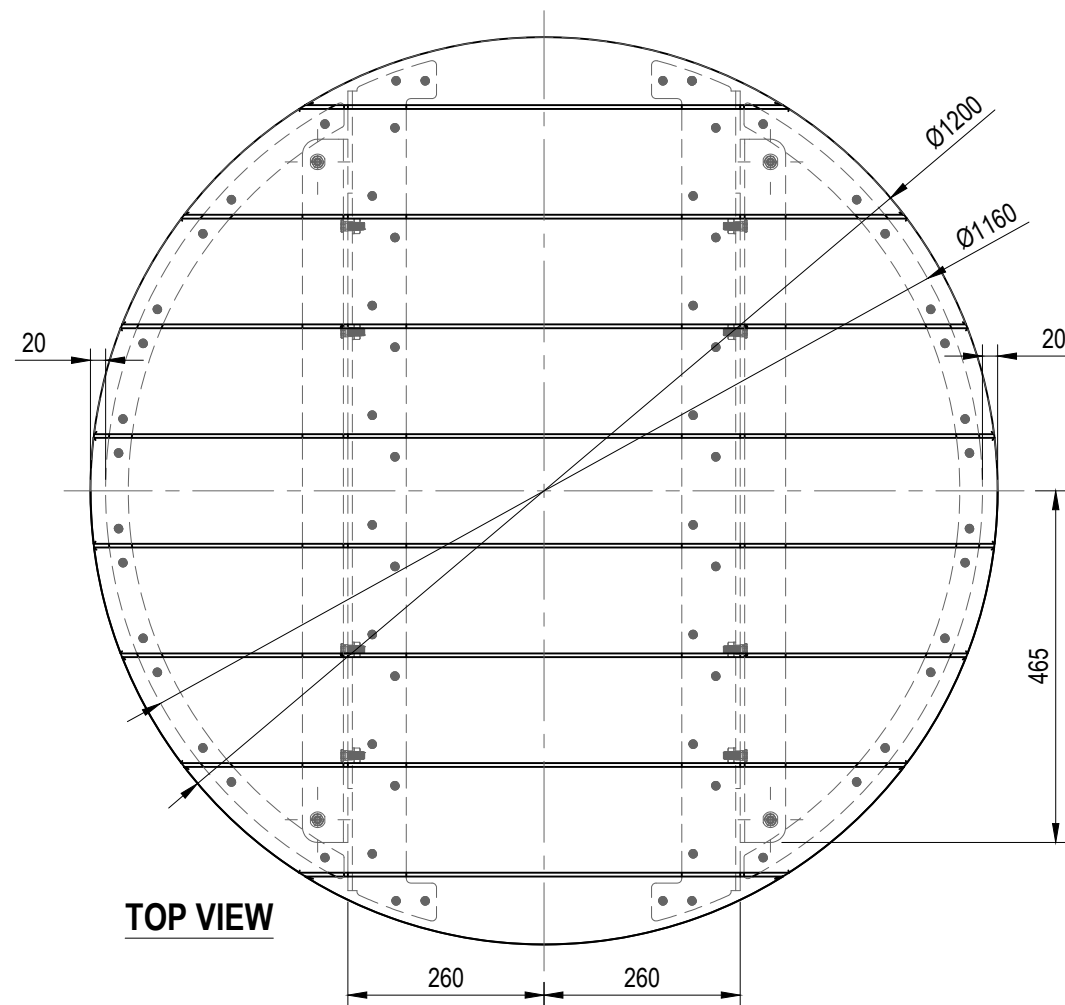
FFSC001095 - Round Pod Bench 1.2m dia - Plinth Mount

## SPECIFICATIONS:

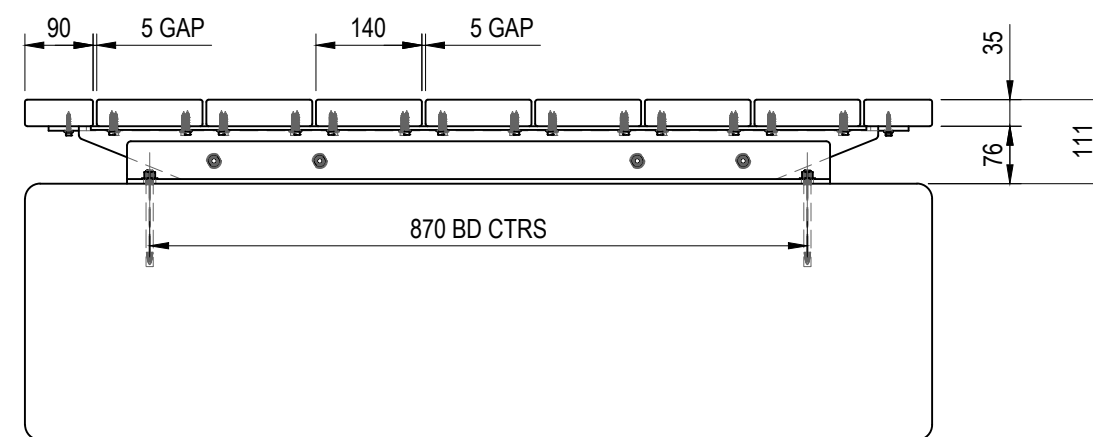
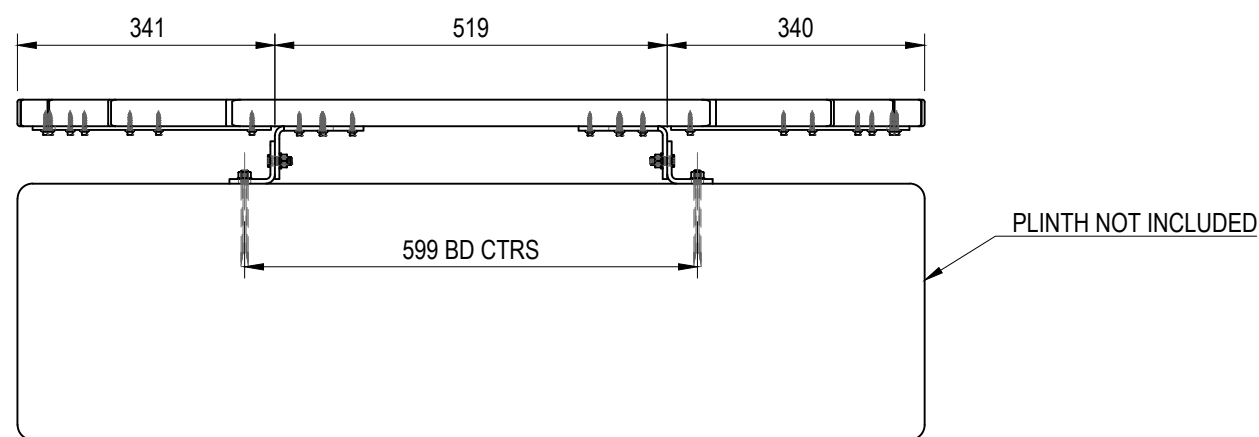
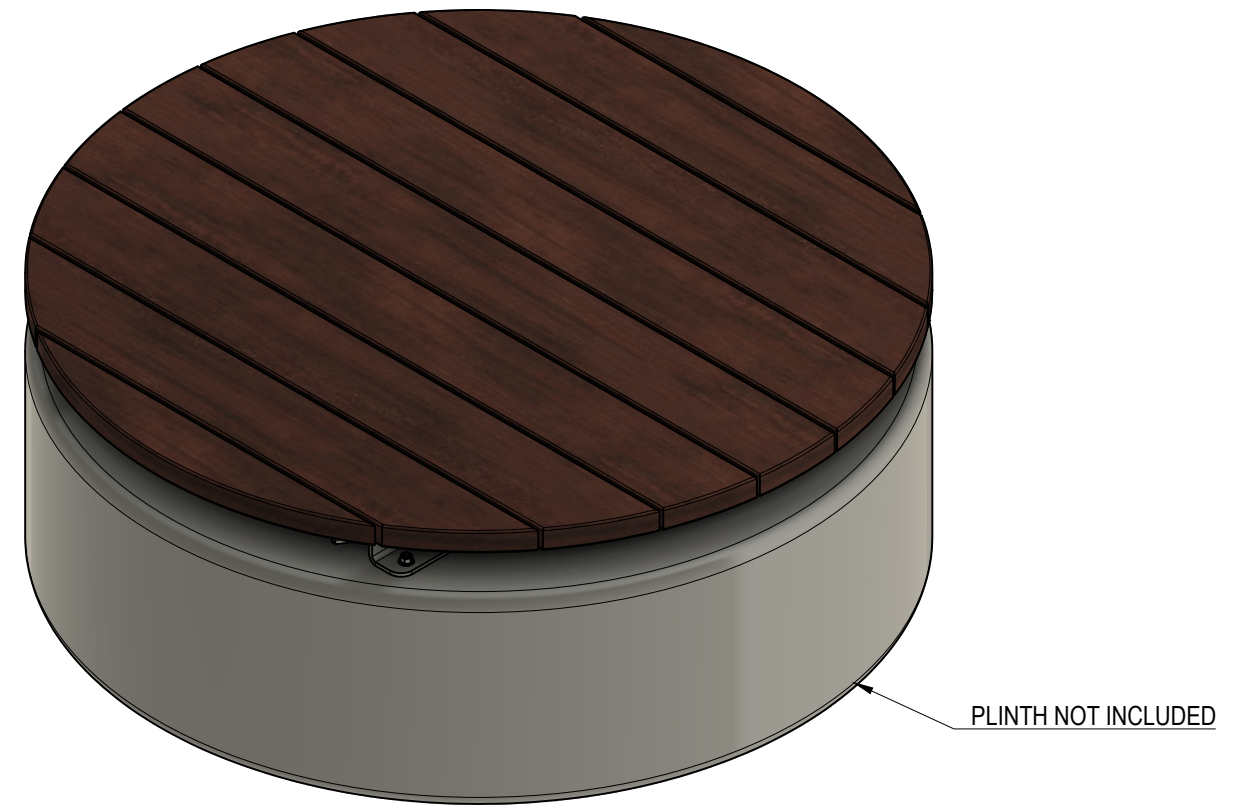
**FRAME:** STAINLESS STEEL 304 GRADE & POWDERCOAT FINISH

**FIXINGS:** STAINLESS STEEL UNLESS NOTED OTHERWISE

**SLATS:** KILN DRIED HARDWOOD DRESSED ALL SIDES WITH PENCIL ROUNDED EDGES



**ISO VIEW**



Revision History			
Rev	Description	Date	Approved

**FURPHY FOUNDRY PTY LTD.**

THIS DOCUMENT IS AND SHALL REMAIN THE PROPERTY OF FURPHY FOUNDRY. UNAUTHORISED USE OF THIS DOCUMENT IN ANY FORM IS PROHIBITED.

UNLESS OTHERWISE SPECIFIED, DIMENSIONS ARE IN mm  
**DO NOT SCALE**  
 BREAK ALL SHARP EDGES AND REMOVE BURRS

TOLERANCES  
 X: ±0.25  
 Y: ±0.1  
 XX: ±0.05  
 ANGLES: ±0.1°

**FURPHY**  
 FOUNDRY EST. 1864

Furphy Foundry Pty Ltd  
 A.B.N. 24 007 195 913  
 21 Drummond Rd,  
 Shepparton VIC 3630

PH: (03) 5831 2777  
 FAX: (03) 5831 2681  
 www.furphyfoundry.com.au  
 sales@furphyfoundry.com.au

CLIENT NAME FURPHY FOUNDRY	PROJECT No. FFSC001095	PAGE A3
PROJECT Axis Furniture Range FFSC001095 - Round Pod Bench 1.2m dia - Plinth Mount	DATE: 19/09/2024	DRAWN Joel Rose
DRAWING TITLE Round Pod Bench 1.2m dia - Plinth Mount	PART No. FFSC001095	SCALE 1:20
	SHEET No. 1/1	REV.