

AXIS - CURVED - MODULAR

FFSC001091 - Modular Curved Bench - Plinth Mount

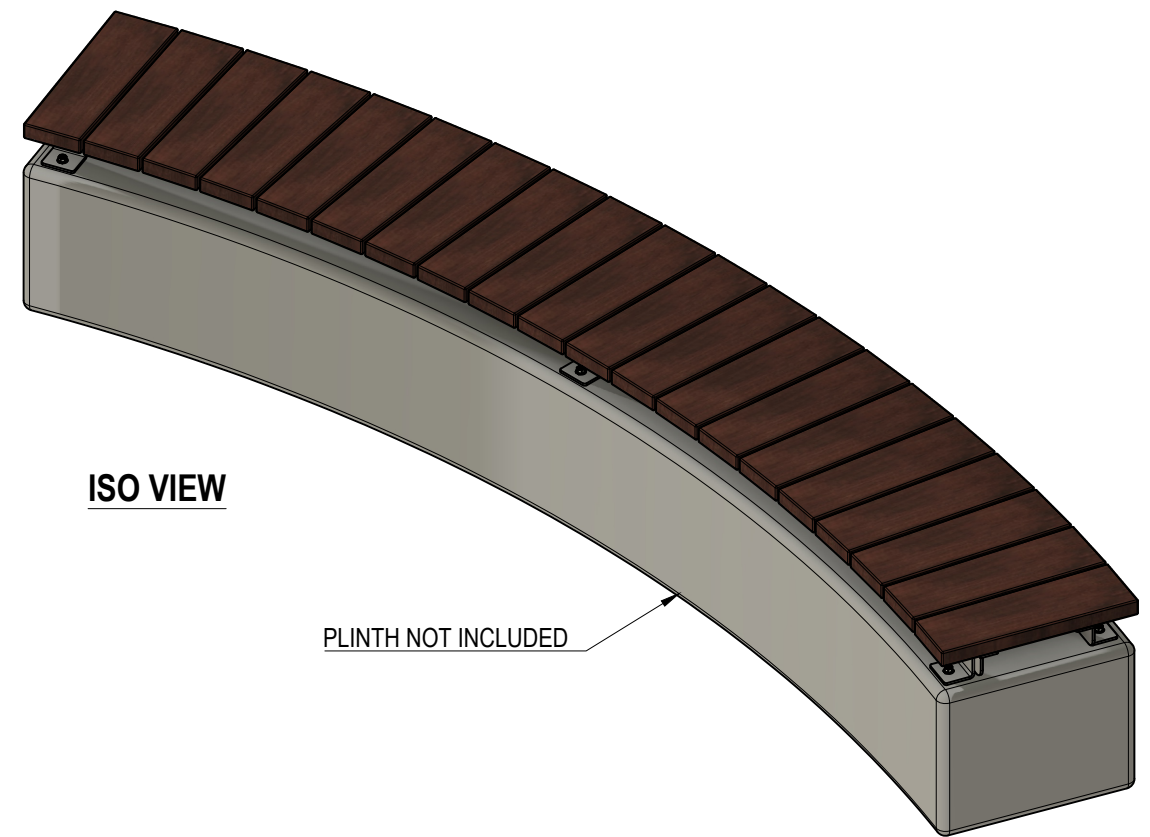
NOTE: MODULAR CONFIGURATION SHOWN IS FOR EXAMPLE PURPOSES ONLY. SITE-SPECIFIC DRAWINGS WILL BE REQUIRED BASED ON THE FINAL ORDER AND FURNITURE CONFIGURATION

SPECIFICATIONS:

FRAME: STAINLESS STEEL 304 GRADE & POWDERCOAT FINISH

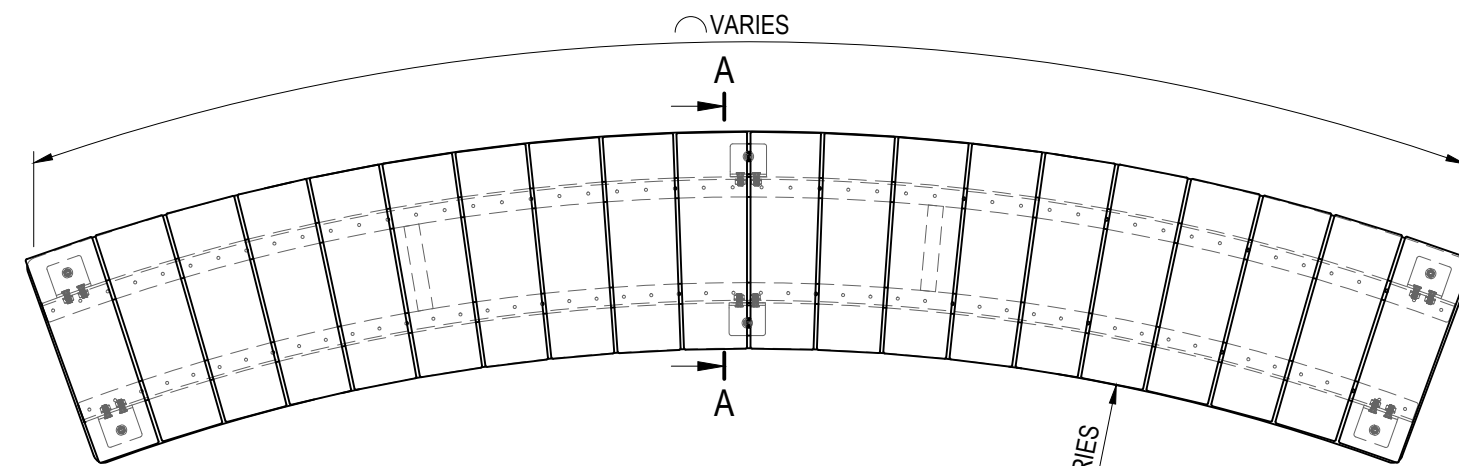
FIXINGS: STAINLESS STEEL UNLESS NOTED OTHERWISE

SLATS: KILN DRIED HARDWOOD DRESSED ALL SIDES WITH PENCIL ROUNDED EDGES



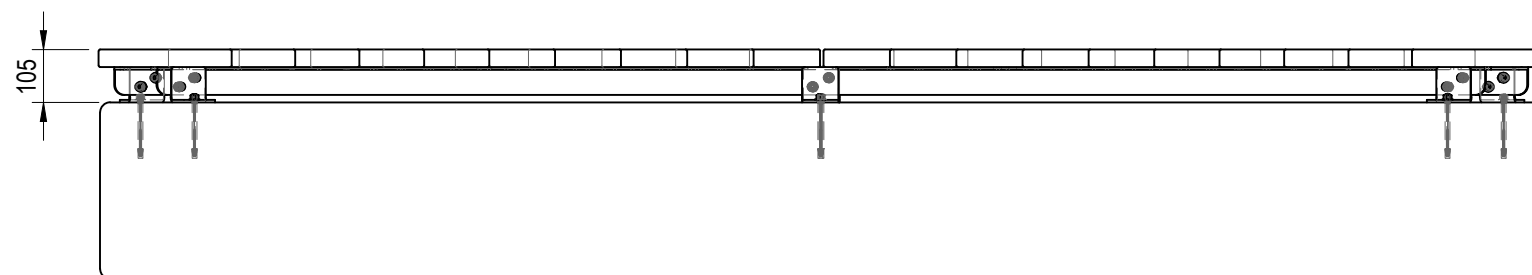
ISO VIEW

PLINTH NOT INCLUDED

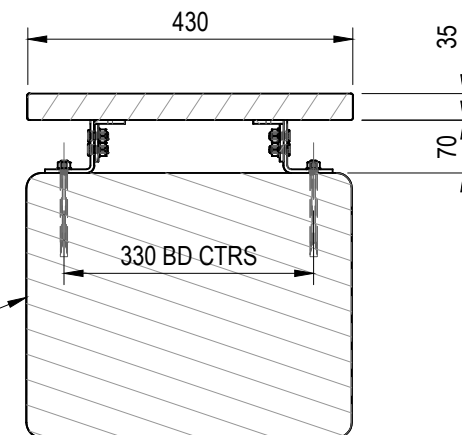


TOP VIEW

RADIUS VARIES



FRONT VIEW



SECTION A-A (1:10)

PLINTH NOT INCLUDED

Revision History			
Rev	Description	Date	Approved

FURPHY FOUNDRY PTY LTD.

THIS DOCUMENT IS AND SHALL REMAIN THE PROPERTY OF FURPHY FOUNDRY. UNAUTHORISED USE OF THIS DOCUMENT IN ANY FORM IS PROHIBITED.

UNLESS OTHERWISE SPECIFIED, DIMENSIONS ARE IN mm
DO NOT SCALE
 BREAK ALL SHARP EDGES AND REMOVE BURRS

TOLERANCES
 X: ±0.25
 Y: ±0.1
 XX: ±0.05
 ANGLES: ±0.1°

FURPHY
 FOUNDRY EST. 1864

Furphy Foundry Pty Ltd
 A.B.N. 24 007 195 913
 21 Drummond Rd,
 Shepparton VIC 3630

PH: (03) 5831 2777
 FAX: (03) 5831 2681
 www.furphyfoundry.com.au
 sales@furphyfoundry.com.au

CLIENT NAME FURPHY FOUNDRY	PROJECT No. FFSC001091	PAGE A3
PROJECT Axis Furniture Range FFSC001091 - Modular Curved Bench - Plinth Mount	DATE: 19/09/2024	DRAWN Joel Rose
DRAWING TITLE Modular Curved Bench - Plinth Mount	PART No. FFSC001091	SCALE 1:15
	SHEET No. 1/1	REV.