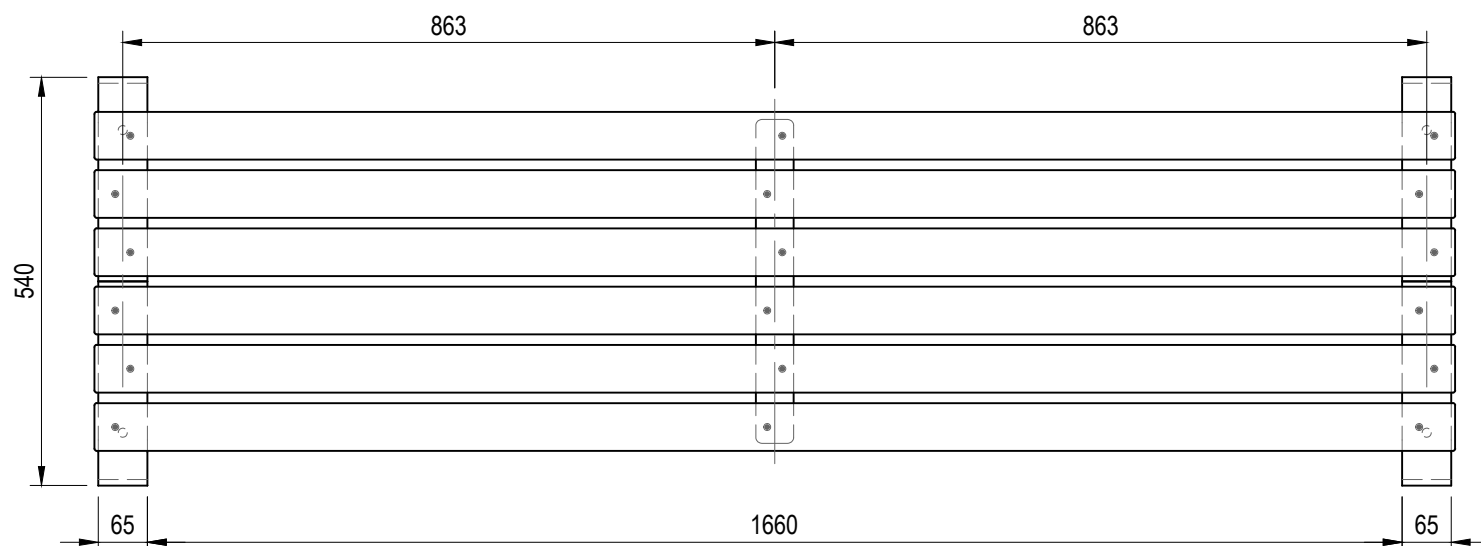


# ECLIPSE BENCH

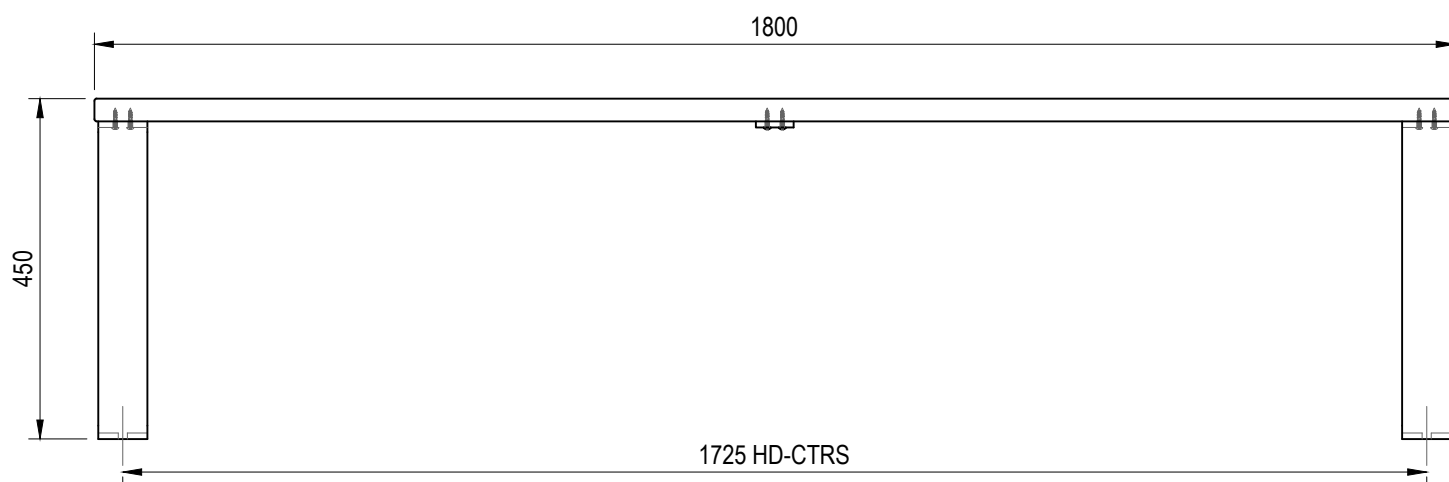
FFSC001000X - Eclipse - Bench - 1800mm

## SPECIFICATIONS SLATS

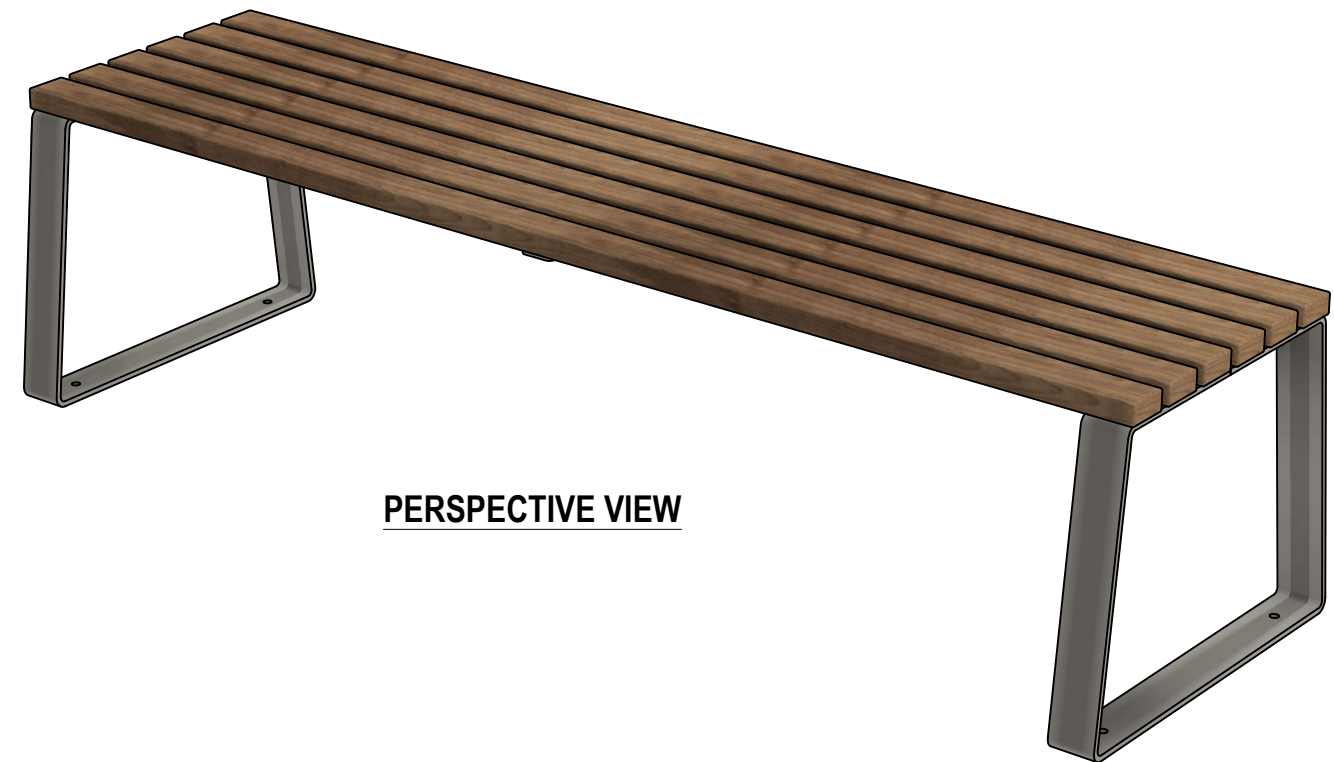
CODE	MATERIAL SLATS	FINISH SLATS	MATERIAL FIXINGS
FFSC001000	HARDWOOD TIMBER	STANDARD STAIN	STAINLESS STEEL
FFSC001000A	ALUMINIUM	CLEAR ANODISED	STAINLESS STEEL
FFSC001000APC	ALUMINIUM	POWDER COATED	STAINLESS STEEL
FFSC001000ATE	ALUMINIUM	TIMBER EFFECT	STAINLESS STEEL



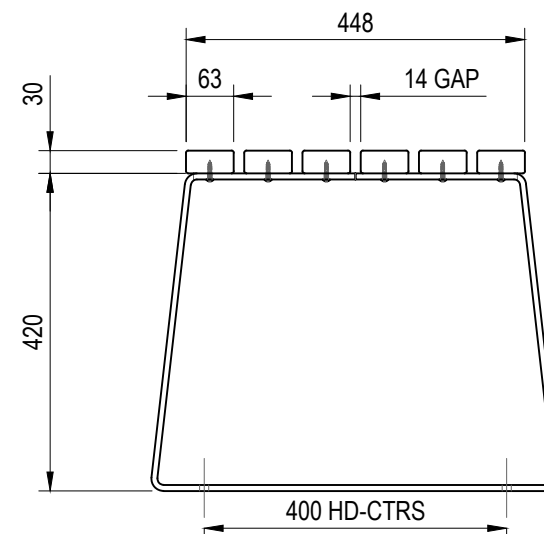
**TOP VIEW**



**FRONT VIEW**



**PERSPECTIVE VIEW**



**END VIEW**

## SPECIFICATIONS:

### MAIN CONSTRUCTION

#### MATERIALS:

- Legs - Stainless Steel 304
- Brackets - Stainless Steel 304

#### FINISH:

- STANDARD:
- Powder coated

#### GROUND FIXING OPTIONS

- Bolt Down (BD): M10 x 75mm Screwbolt Anchor GAL
- In Ground (IG): HD Bolt Kit GAL

### Revision History

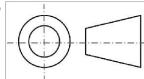
Rev	Description	Date	Approved



© FURPHY FOUNDRY PTY LTD.

THIS DOCUMENT IS AND SHALL REMAIN THE PROPERTY OF FURPHY FOUNDRY. UNAUTHORISED USE OF THIS DOCUMENT IN ANY FORM IS PROHIBITED.

UNLESS OTHERWISE SPECIFIED, DIMENSIONS ARE IN mm  
**DO NOT SCALE**  
BREAK ALL SHARP EDGES AND REMOVE BURRS



TOLERANCES  
X: ±0.25  
Y: ±0.1  
XX: ±0.05  
ANGLES: ±0.1°



Furphy Foundry Pty Ltd  
A.B.N. 24 007 195 913  
21 Drummond Rd,  
Shepparton VIC 3630  
PH: (03) 5831 2777  
FAX: (03) 5831 2681  
www.furphyfoundry.com.au  
sales@furphyfoundry.com.au

CLIENT NAME Furphy Foundry	PROJECT No. ECLI-1011	PAGE A3
PROJECT Eclipse Furniture Range FFSC001000X - Bench - 1800mm	DATE: 13/11/2024	DRAWN Joel Rose
DRAWING TITLE Eclipse - Bench - 1800mm - Specification	DRAWING No. ECLI-00002-SPE	SCALE 1:20
PART No. FFSC001000X	SHEET No. 1/1	REV. ----