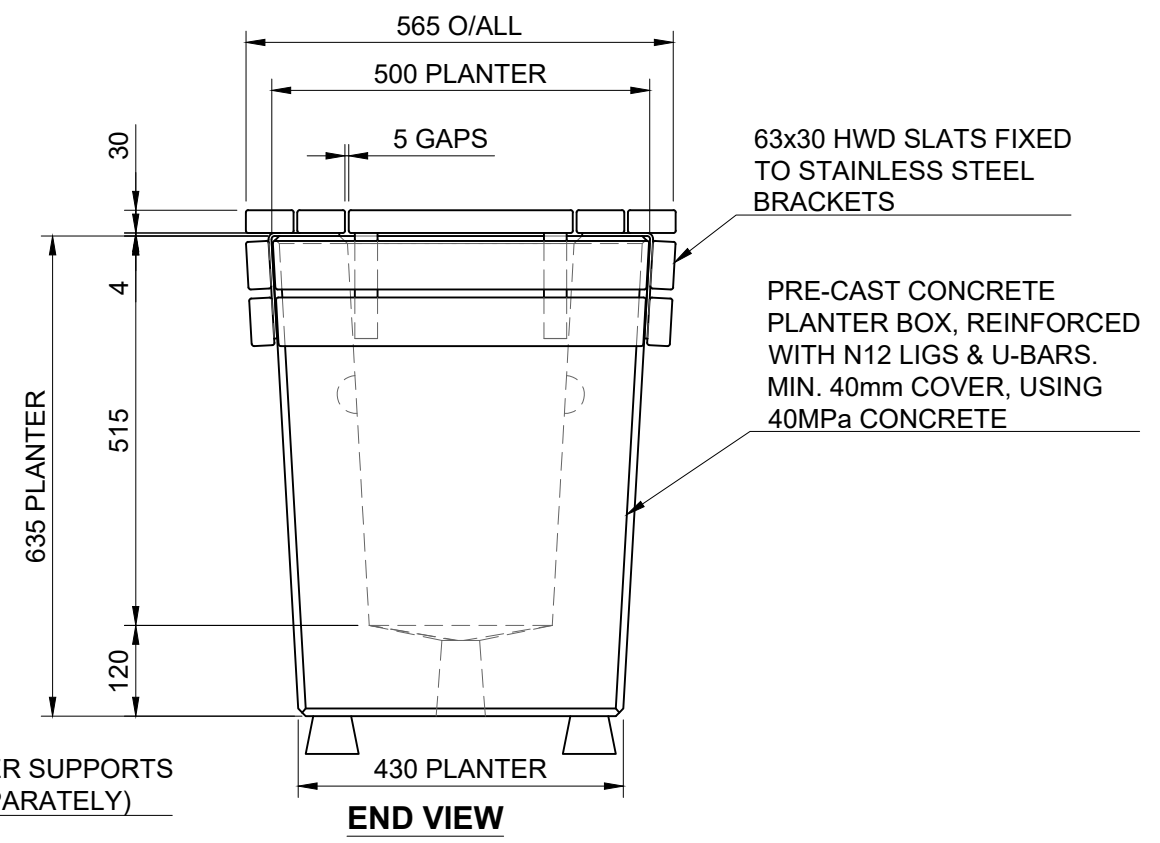
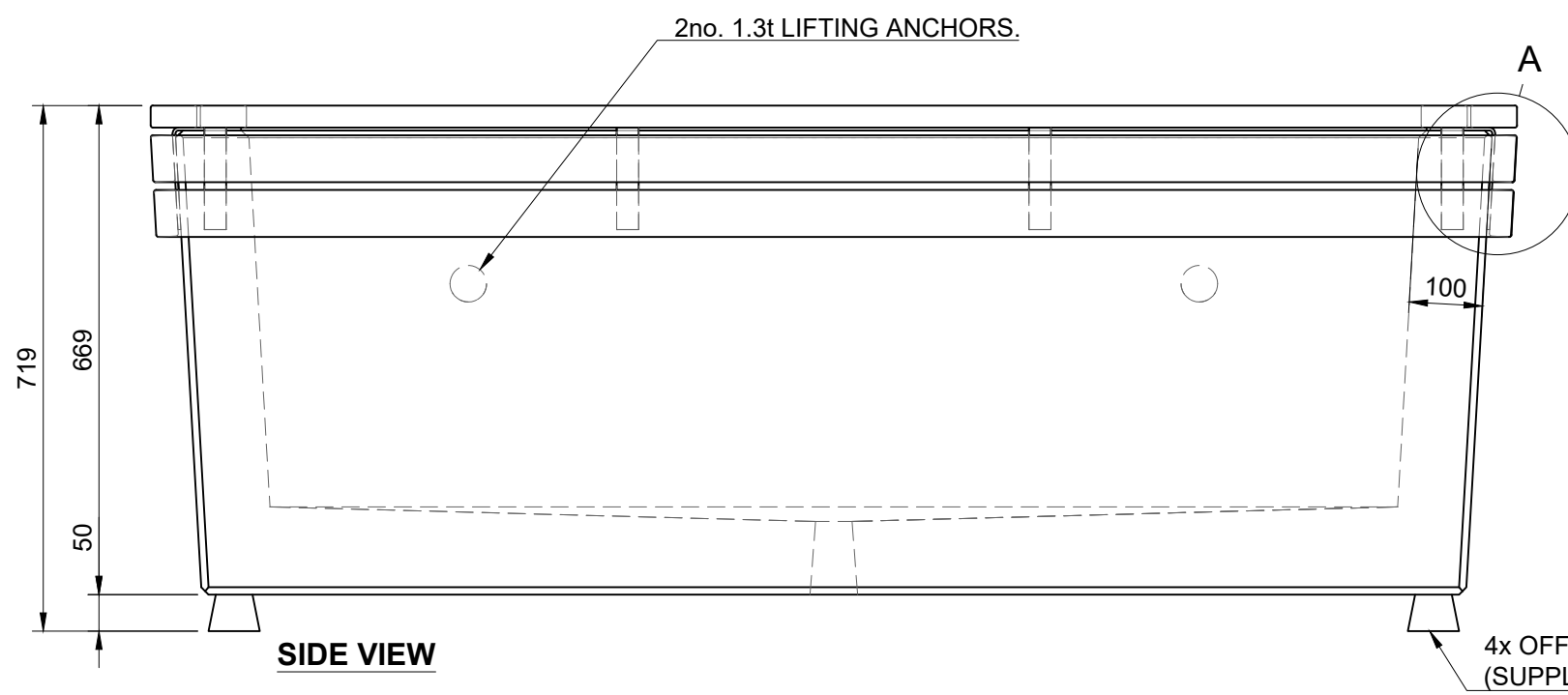
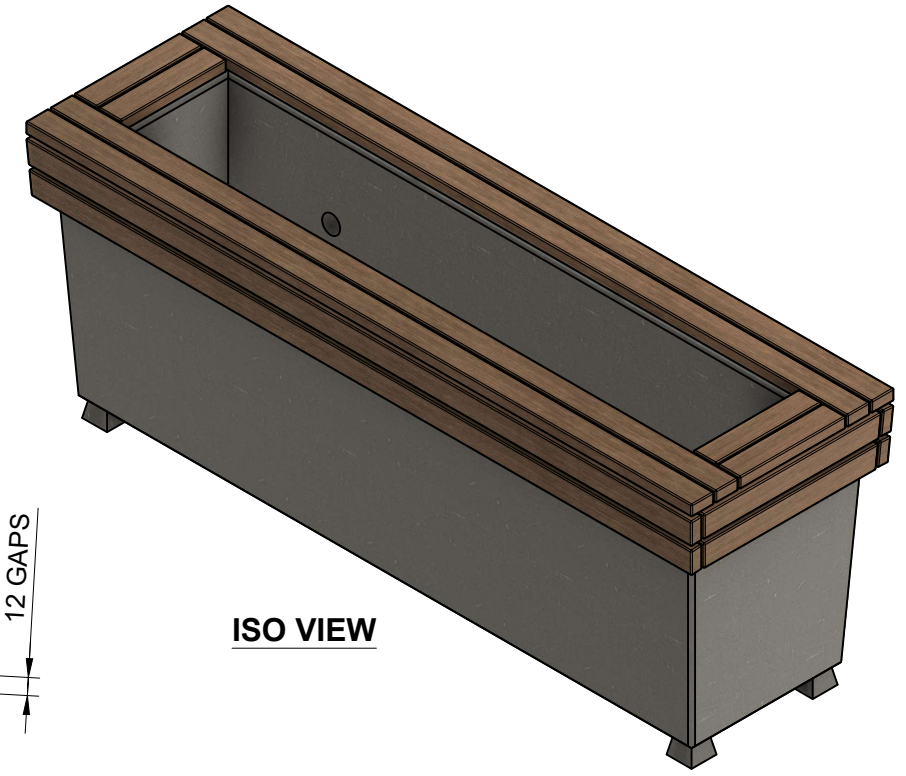
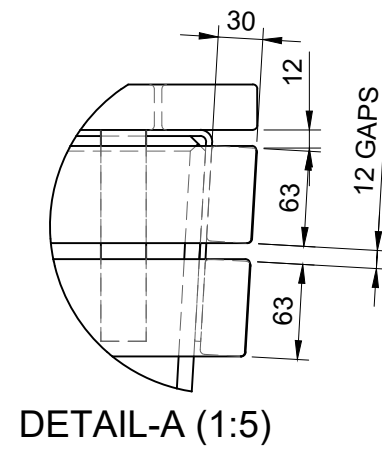
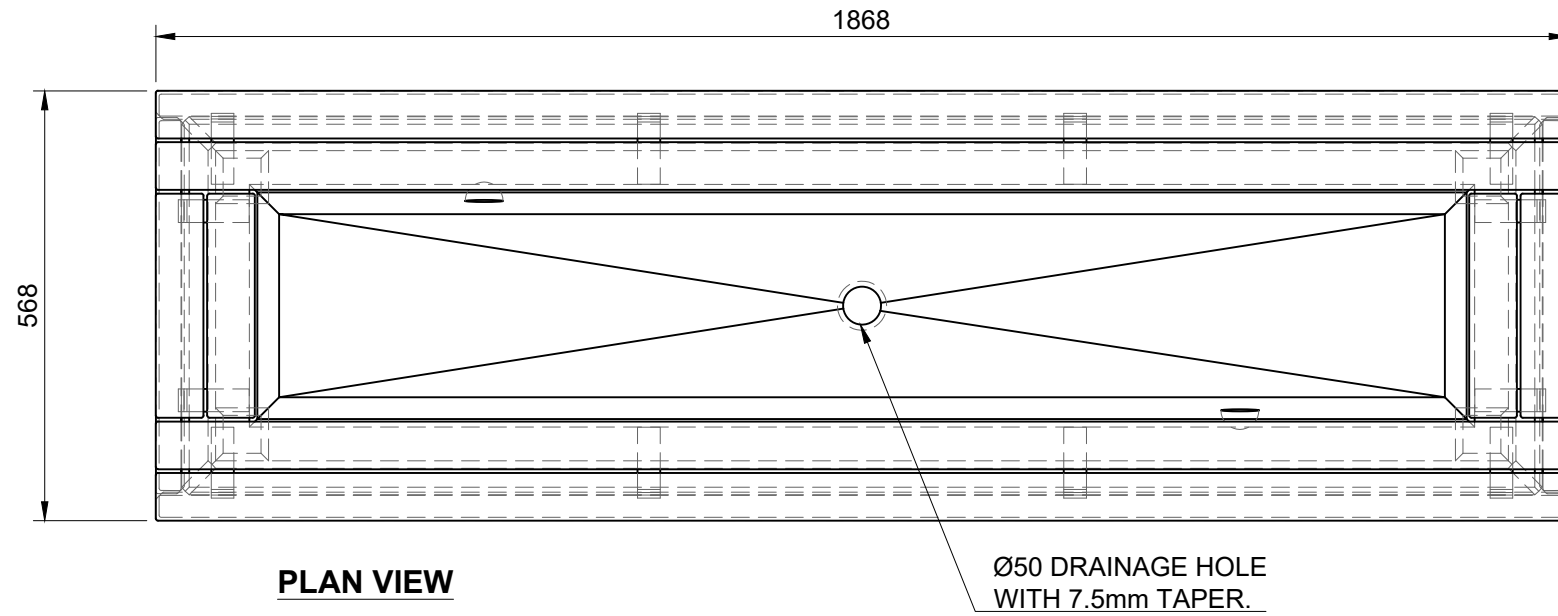


ALL DIMENSIONS IN MILLIMETRES - DO NOT SCALE

IMPACT SECURITY RANGE

FFSB014008 - Planter Box - 1800mm Rectangle

Approx. Weight: 846.05 kg



Revision History			
Rev	Description	Date	Approved

© LANDMARK PRODUCTS PTY LTD
 THIS DOCUMENT IS AND SHALL REMAIN THE PROPERTY OF LANDMARK PRODUCTS PTY LTD. UNAUTHORISED USE OF THIS DOCUMENT IN ANY FORM IS PROHIBITED.

CHECKED BY: DATE:

Landmark Products Pty Ltd
 A.B.N. 99 112 000 843
 6 / 26 Flinders Parade,
 Northlakes, QLD 4509

PH: (03) 5831 2777
 FAX: (03) 5831 2681
 www.landmarkproducts.com.au
 landmark@landmarkpro.com.au

CLIENT NAME Landmark Products Pty Ltd	PROJECT No. FFSB014008	PAGE A3
PROJECT FFSB014008 - Planter Box - 1800 Rectangle	DATE: 31/10/2024	DRAWN Joel Rose
DRAWING TITLE Planter Box - 1800mm Rectangle	DRAWING No. DWGSPEC	SCALE 1:10
PART No. FFSB014008	SHEET No. 1/1	REV.