



Quality
ISO 9001
SAI GLOBAL

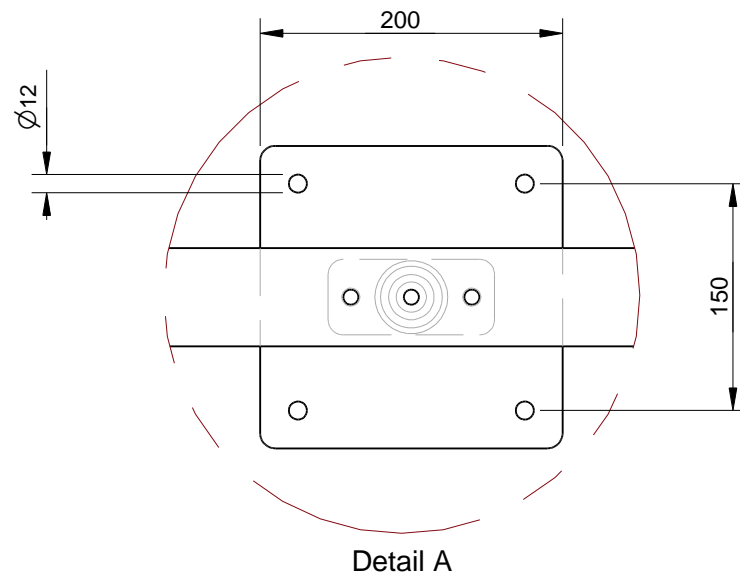
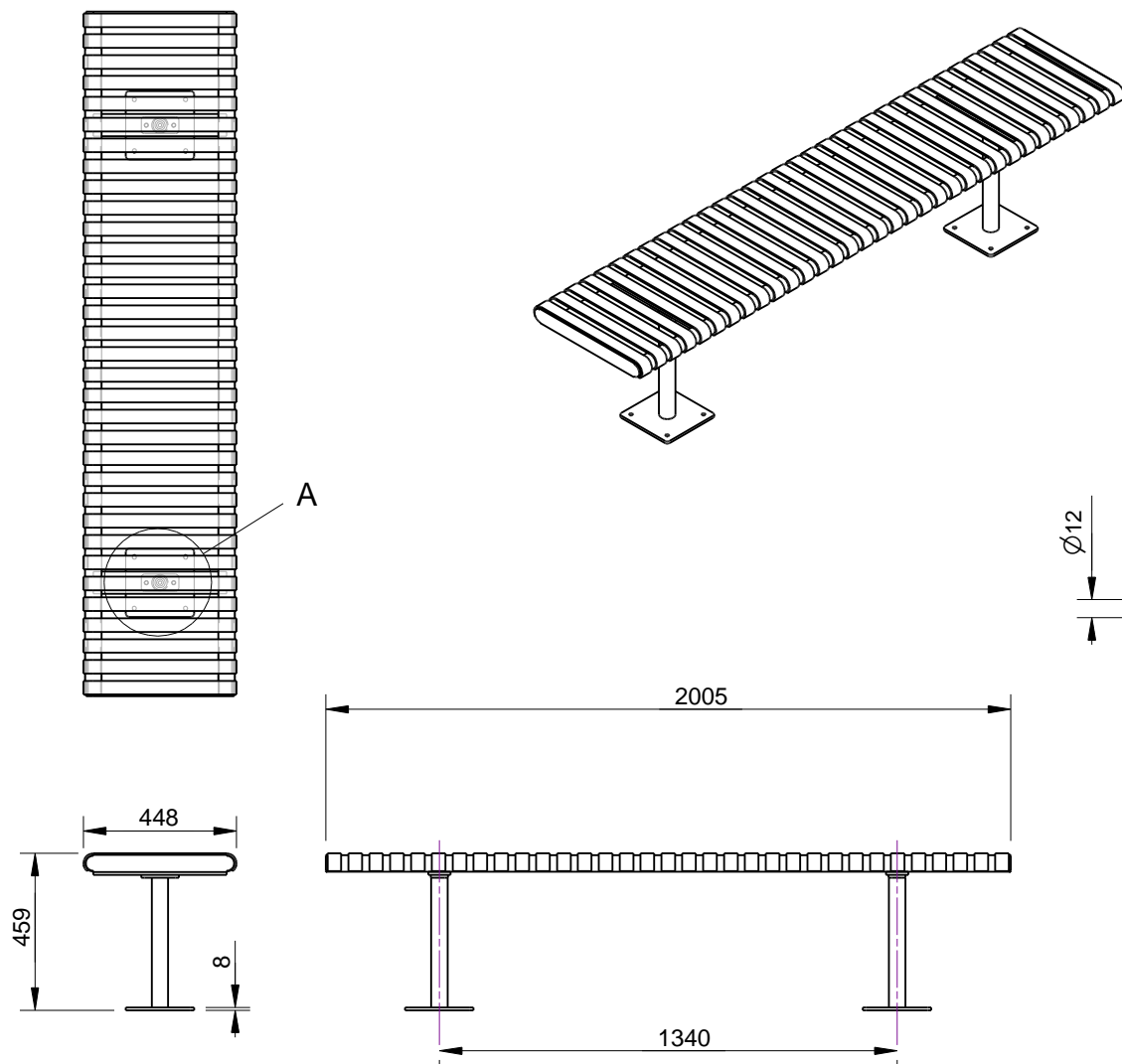
SPECIFICATION:

Material:
Frame & Slats: Mild Steel Construction

Dimensions:
All in mm unless otherwise stated

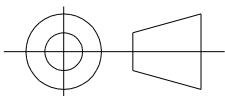
Finish:
Steel - Galvanised and optional Powder Coat

Ground Fixings:
Bolt Down



© copyright
CONFIDENTIAL

REVISION #	DESCRIPTION	BY	DATE	DRAWN	DRAWN DATE	CHECKED	CHECKED DATE	SCALE	A4
								N/A	
1	ORIGINAL DRAWING	SJ	25.5.10	R.CRIGTON	10.12.13				
2	FULL PRODUCT REVIEW	RBC	10.12.13						
3									
4									
5									



STEEL SLATTED BENCH - BOLT DOWN SPEC.

FFSB001001 REV. 2 SHEET 1 OF 2