

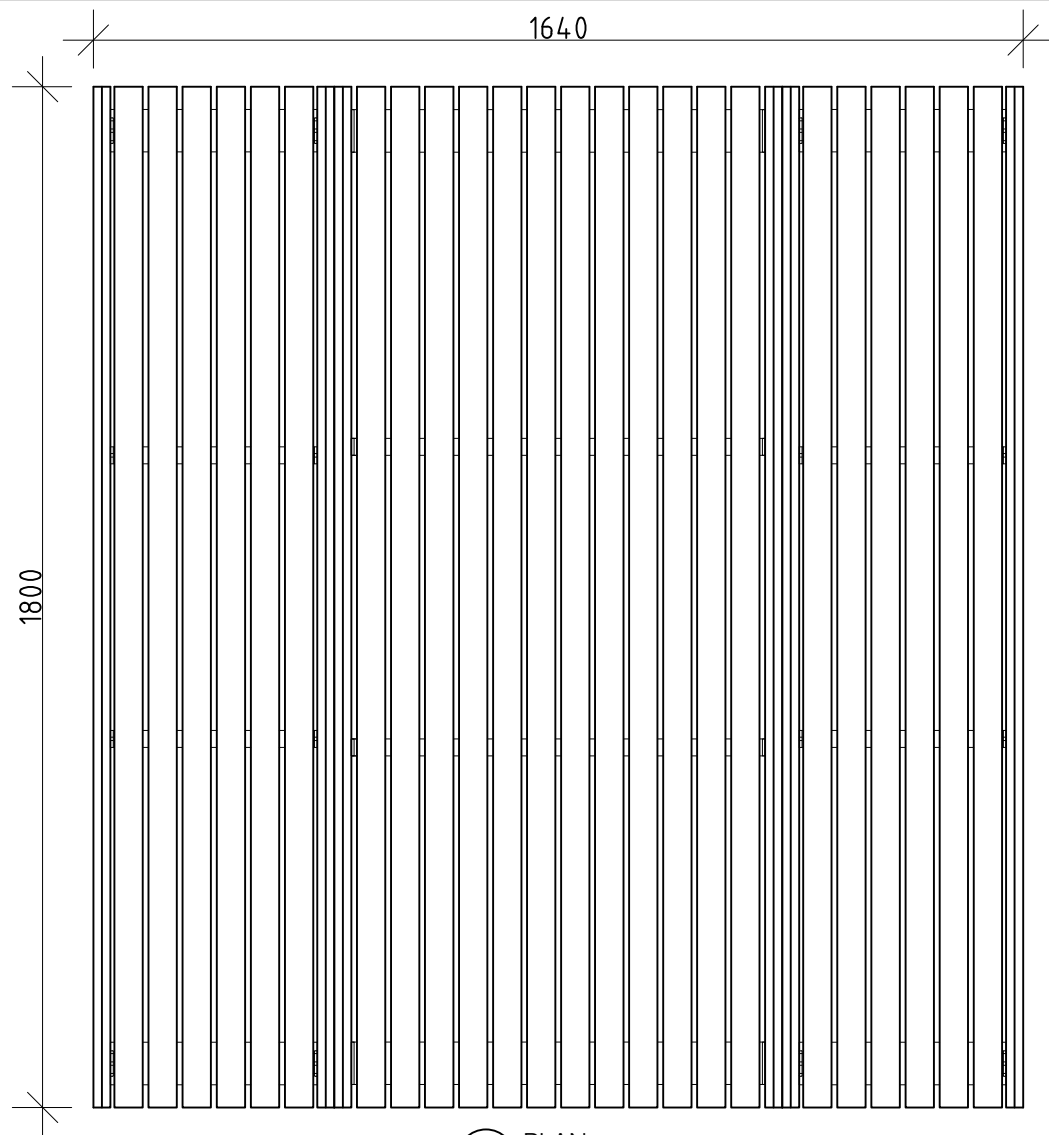
ALL DIMENSIONS IN MILLIMETRES - DO NOT SCALE

# METRO RANGE

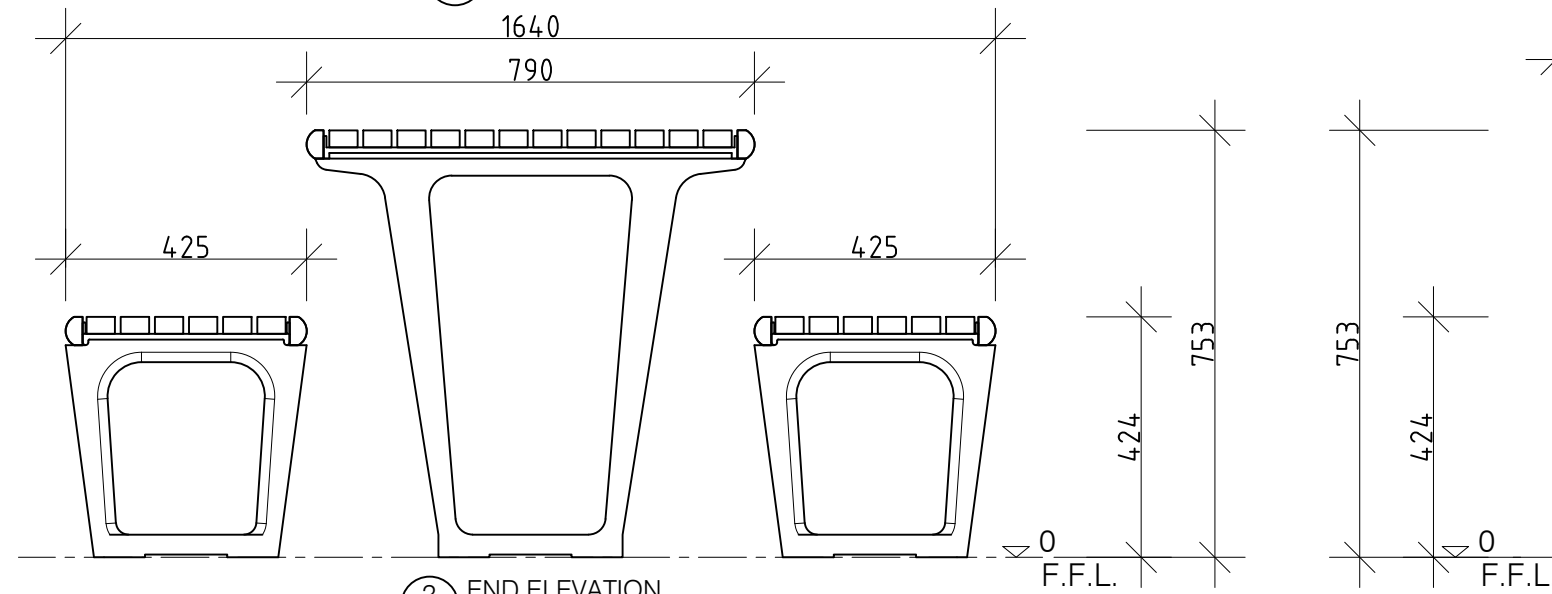
FFSA004001 1800mm PICNIC SETTING - BOLT DOWN



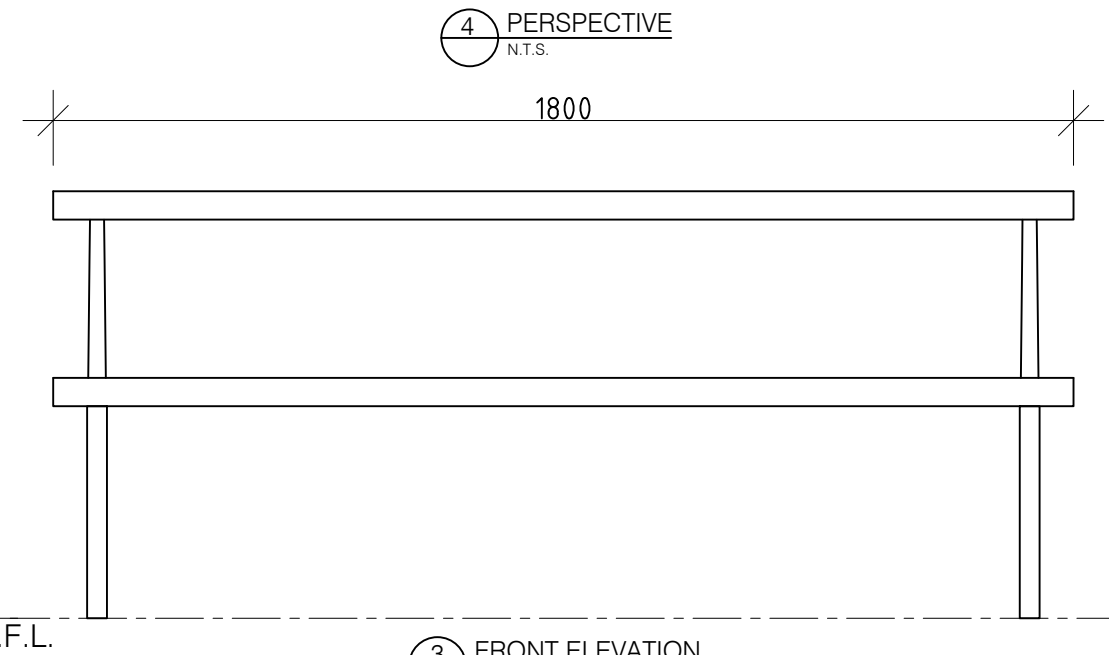
**Slats available in:**  
**Hardwood Timber (FFSA004001)**  
**Aluminium (FFSA004001A)**



1 PLAN  
1:15 @ A3



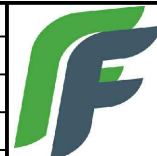
2 END ELEVATION  
1:15 @ A3



4 PERSPECTIVE  
N.T.S.

3 FRONT ELEVATION  
1:15 @ A3

REVISION	DATE:	DRAWN BY:
6		
5		
4		
3		
2		
1		



© FURPHY FOUNDRY PTY LTD  
 THIS DOCUMENT IS AND SHALL REMAIN THE PROPERTY OF  
 FURPHY FOUNDRY. UNAUTHORISED USE OF THIS DOCUMENT  
 IN ANY FORM IS PROHIBITED.



Furphy Foundry Pty Ltd  
 A.B.N. 24 007 195 913  
 21 Drummond Rd,  
 Shepparton VIC 3630  
 PH: (03) 5831 2777  
 FAX: (03) 5831 2681  
 www.furphyfoundry.com.au  
 sales@furphyfoundry.com.au

CLIENT NAME <b>FURPHY FOUNDRY</b>	PROJECT No. <b>FFSA004001</b>	PAGE <b>A3</b>
PROJECT <b>METRO PICNIC SETTING - BOLT DOWN</b>	DATE: <b>18-03-19</b>	DRAWN <b>PS</b>
DRAWING TITLE <b>PRELIMINARY</b>	DRAWING No. <b>024</b>	SCALE <b>NOTED</b>
	SHEET No. <b>001</b>	REV. <b>1</b>