

ALL DIMENSIONS IN MILLIMETRES - DO NOT SCALE

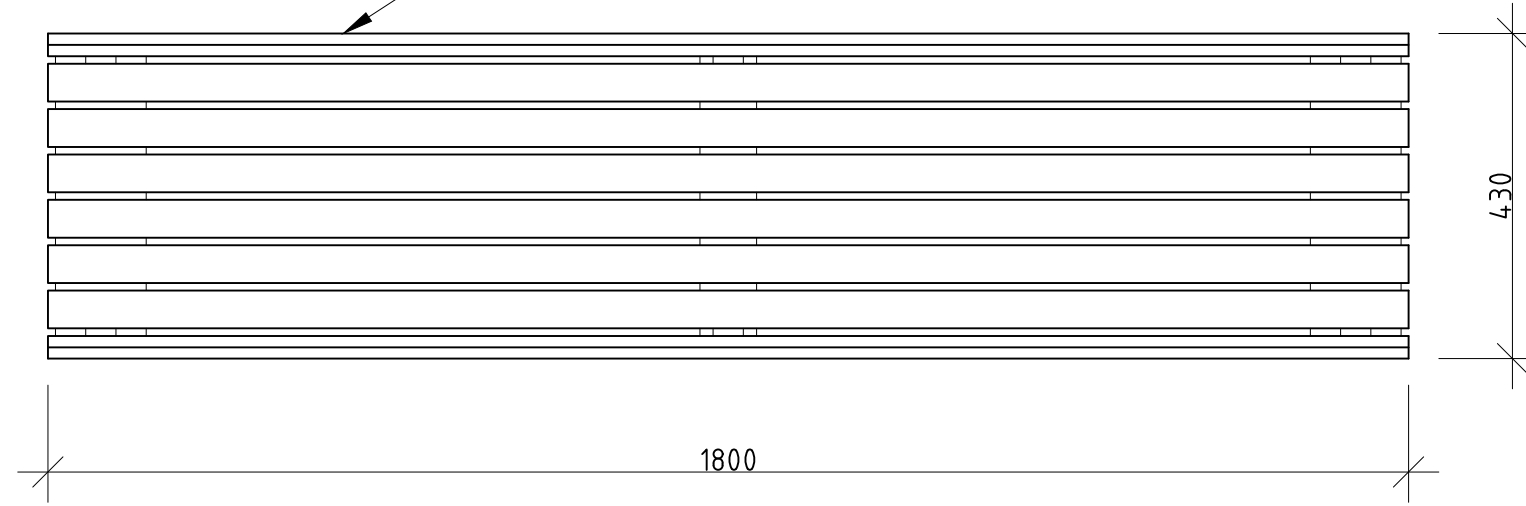
# PROMENADE RANGE

FFSA001013 1800mm BENCH - IN GROUND

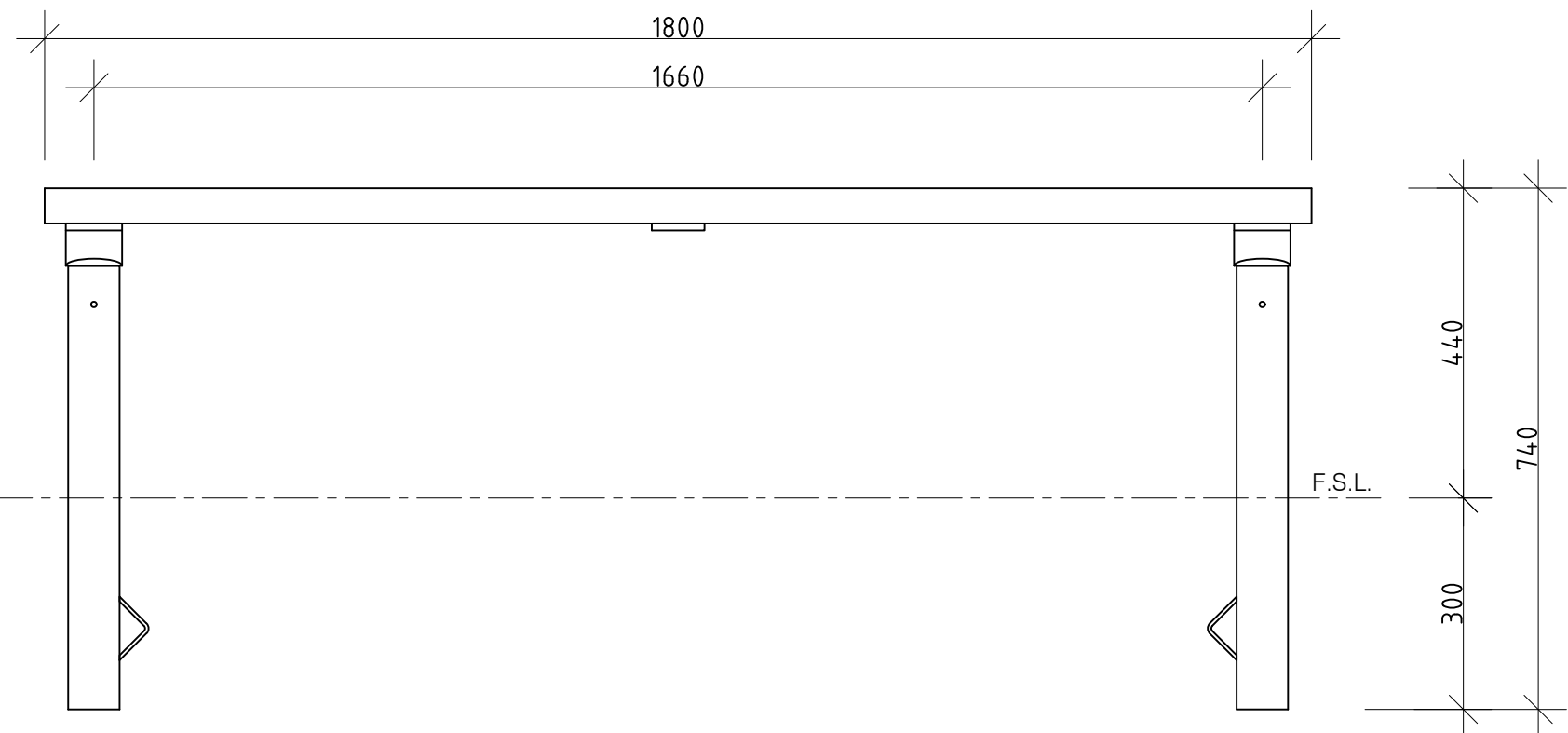
HWD TIMBER SLATS FIXED TO STEEL SUPPORTS



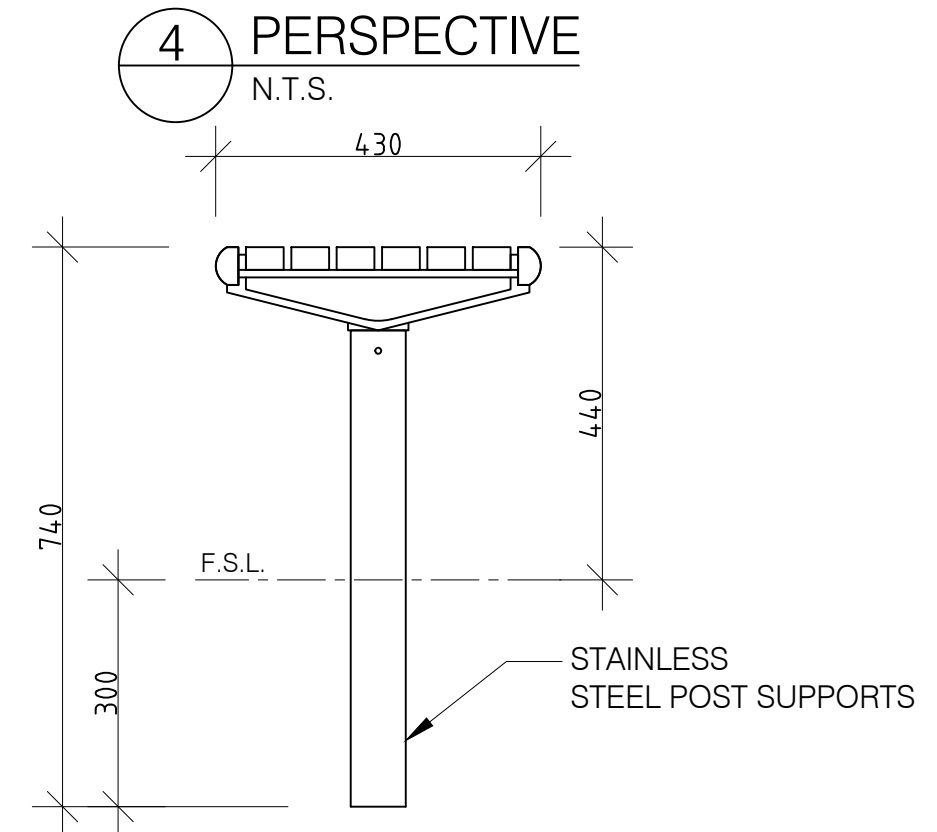
**Slats available in:**  
**Hardwood Timber (FFSA001013)**  
**Aluminium (FFSA001013A)**



**1 PLAN**  
1:10 @ A3





**2 FRONT ELEVATION**  
1:10 @ A3



**4 PERSPECTIVE**  
N.T.S.

**3 END ELEVATION**  
1:10 @ A3

REVISION	DATE:	DRAWN BY.	 <b>FURPHY FOUNDRY PTY LTD</b> <small>THIS DOCUMENT IS AND SHALL REMAIN THE PROPERTY OF FURPHY FOUNDRY. UNAUTHORISED USE OF THIS DOCUMENT IN ANY FORM IS PROHIBITED.</small>	CLIENT NAME	PROJECT No.	PAGE		
6				 <b>FURPHY</b> <small>FOUNDRY EST. 1864</small>	<b>FURPHY FOUNDRY</b>	<b>FFSA001013</b>	<b>A3</b>	
5				Furphy Foundry Pty Ltd A.B.N. 24 007 195 913 21 Drummond Rd, Shepparton VIC 3630	PH: (03) 5831 2777 FAX: (03) 5831 2681 www.furphyfoundry.com.au sales@furphyfoundry.com.au	PROJECT <b>PROMENADE BENCH - IN GROUND</b> -	DATE: 17-04-19	DRAWN PS
4							DRAWING No. 028	SCALE NOTED
3							SHEET No. 001	REV. 1
2								
1								