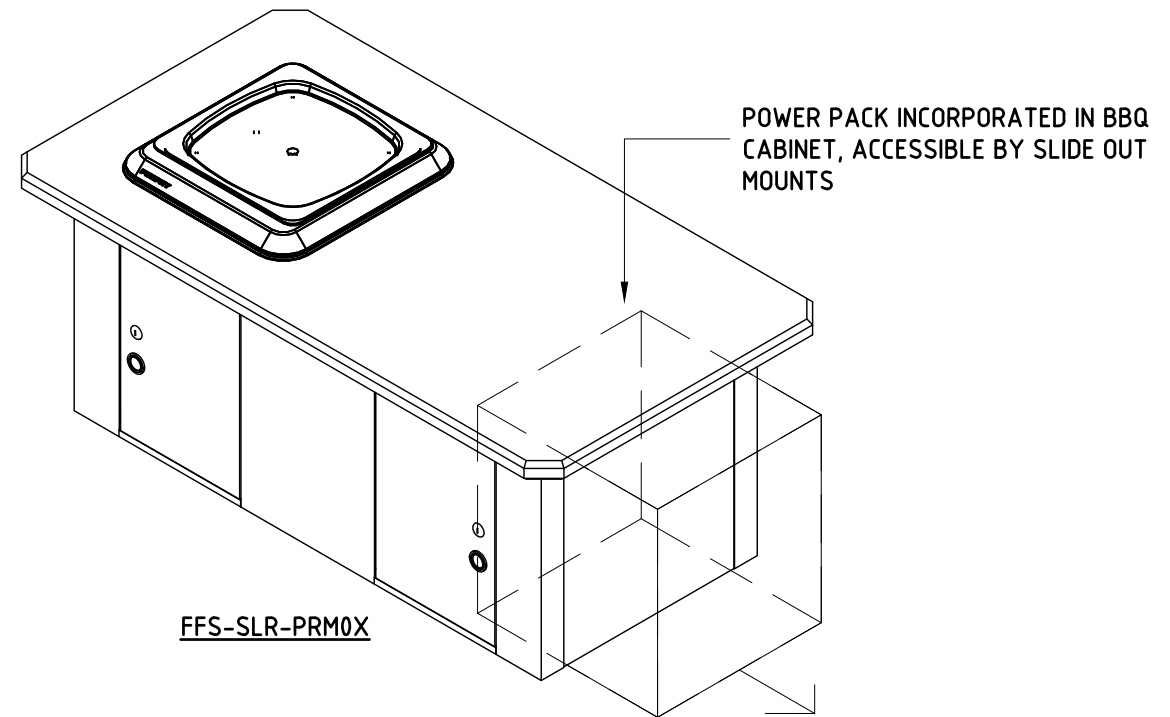
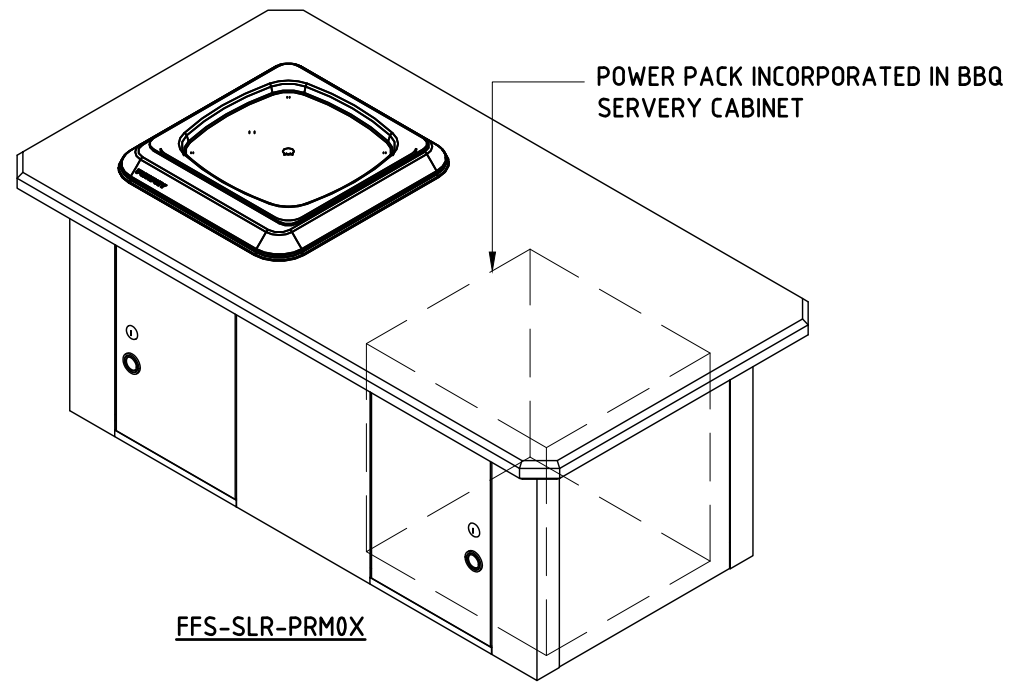


ALL DIMENSIONS IN MILLIMETRES - DO NOT SCALE

FFS-SLR-PRM0X - INTERGRATED BBQ & POWER PACK



REVISION	DATE:	DRAWN BY.	FURPHY FOUNDRY PTY LTD		CLIENT NAME	PROJECT No.	PAGE
6			 © FURPHY FOUNDRY PTY LTD THIS DOCUMENT IS AND SHALL REMAIN THE PROPERTY OF FURPHY FOUNDRY. UNAUTHORISED USE OF THIS DOCUMENT IN ANY FORM IS PROHIBITED.	 FURPHY FOUNDRY EST. 1864 Furphy Foundry Pty Ltd PH: (03) 5831 2777 A.B.N. 24 007 195 913 FAX: (03) 5831 2681 21 Drummond Rd, www.furphyfoundry.com.au Shepparton VIC 3630 sales@furphyfoundry.com.au	FURPHY FOUNDRY	NPD-1004	A3
5					PROJECT	DATE:	DRAWN
4					SOLAR BBQ CONFIGURATIONS	27.02.24	JAR
3					DRAWING TITLE	DRAWING No.	SCALE
2					FFS-SLR-PRM0X - INTERGRATED BBQ & POWER PACK	SBBQ-1004	NTS
1						SHEET No.	REV.
				100	-		